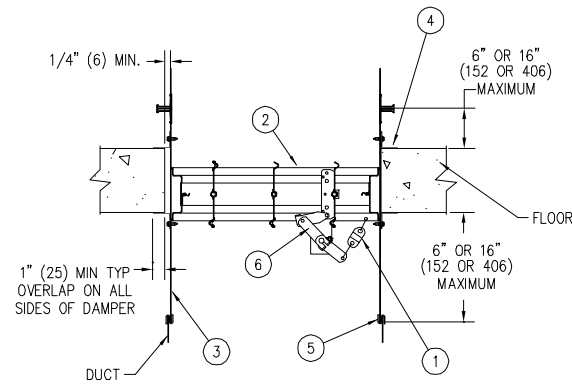
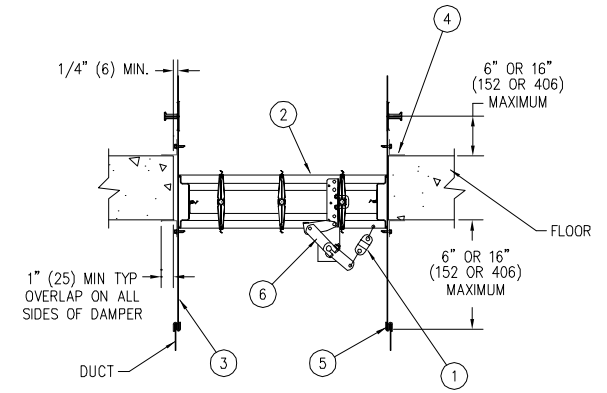


HORIZONTAL INSTALLATION



SINGLE SECTION DAMPER
FD35 SHOWN

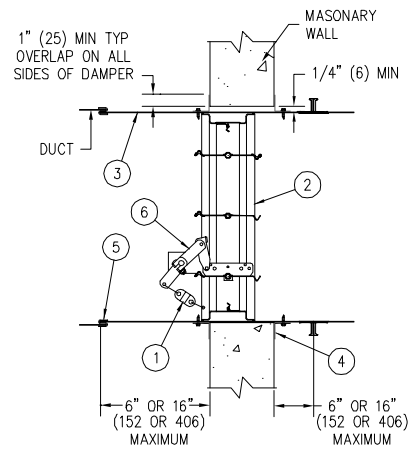
FIGURE 4



MULTIPLE SECTION DAMPER
FD60 SHOWN

FIGURE 4

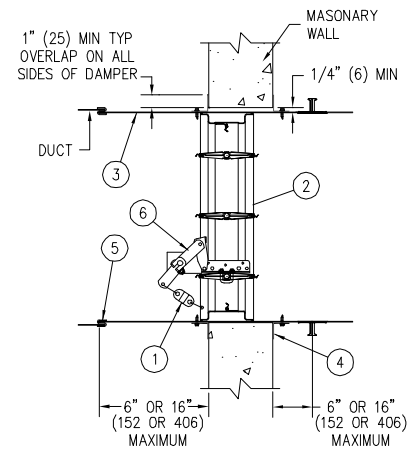
VERTICAL INSTALLATION



SINGLE SECTION DAMPER
FD35 SHOWN

FIGURE 1

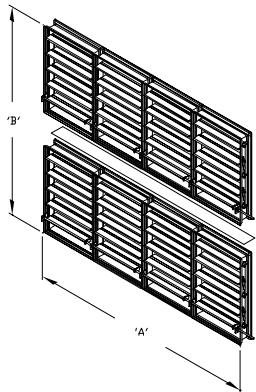
ITEM.	DESCRIPTION
1.	FUSIBLE LINK
2.	DAMPER FRAME
3.	SLEEVE
4.	FUSIBLE LINK WITH LOCK
5.	MOUNTING ANGLES
6.	S-JOINT, SLEEVE TO DUCT OVER CENTER LOCK



MULTIPLE SECTION DAMPER
FD60 SHOWN

FIGURE 2

MAX UL CLASSIFIED SIZE
FD600B AND FD350B



*A = 120" (3048) FOR
FD600B
*A = 126" (3200) FOR
FD350B

B* = 122" (3099) FOR
FD350B
B* = 98" (2489) FOR
FD600B

14-GAGE (2) X DAMPER
"A" DIMENSION X 5"
(127) WIDE REINFORCING
PLATE