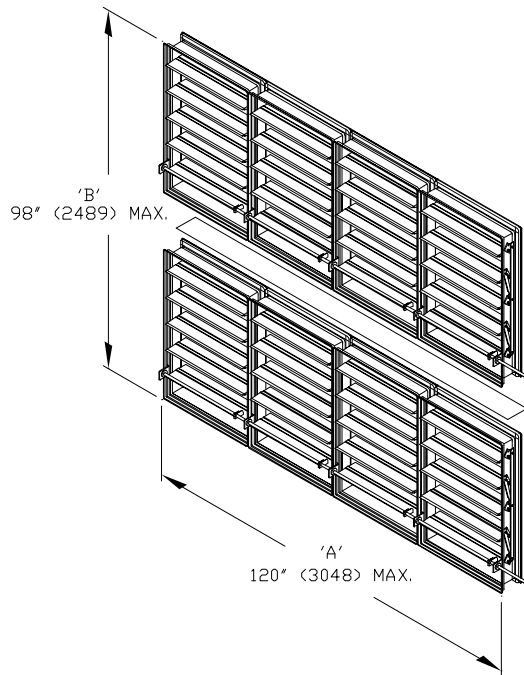


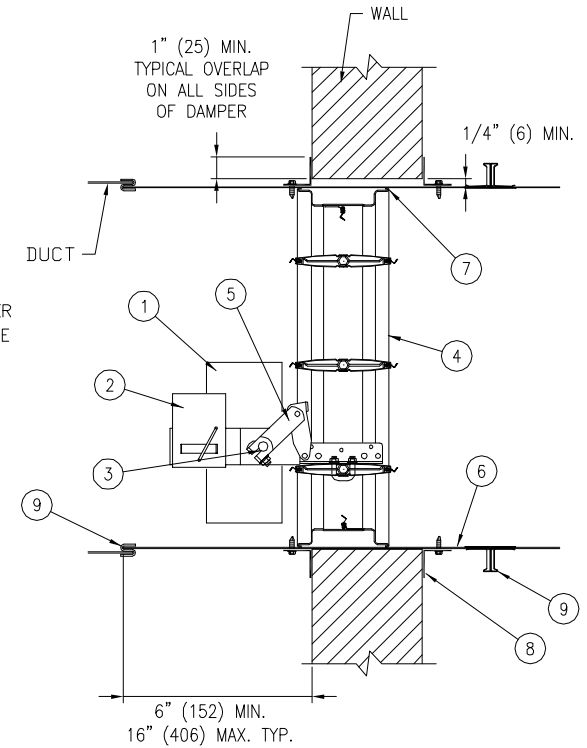
MAXIMUM UL CLASSIFIED SIZE



14 GAGE (20) X DAMPER  
"A" DIMENSION X 5"  
(127) WIDE REINFORCING  
PLATE

- | ITEM. | DESCRIPTION  |
|-------|--|
| 1.    | ACTUATOR (LOCATION MAY VARY). DAMPER MAY BE SUPPLIED WITHOUT ACTUATOR INSTALLED. RUSKIN'S UL LISTED FIRE DAMPER ACTUATORS MAY BE FIELD INSTALLED IF PROPERLY LABELED. SEE ACTUATOR INSTALLATION INSTRUCTIONS FOR FIELD MOUNTING OF DAMPER ACTUATORS. |
| 2.    | OPTIONAL FIRESTAT OR SP100   |
| 3.    | AUXILLARY OPERATING JACK SHAFT   |
| 4.    | DAMPER   |
| 5.    | OVER CENTER LOCK   |
| 6.    | SLEEVE   |
| 7.    | CAULKING MATERIAL (MAY BE ON EITHER SIDE OF DAMPER FRAME).   |
| 8.    | PFMA OR CONVENTIONAL MOUNTING ANGLES   |
| 9.    | S-JOINT/DUCT MATE, SLEEVE TO DUCT  |

VERTICAL INSTALLTION



FSD-60