

FIGURE 1

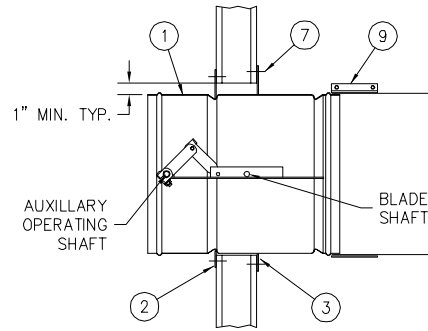


FIGURE 2

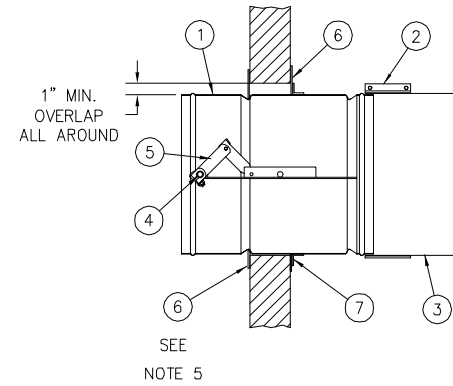
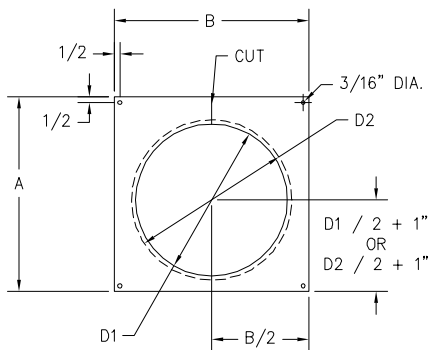


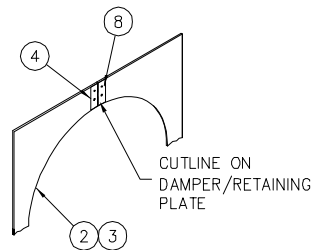
FIGURE 3

- | ITEM. | DESCRIPTION |
|-------|--|
| 1. | FSDR25 COMBINATION FIRE AND LEAKAGE RATED DAMPER
*OPERATOR/ACTUATOR (LOCATION MAY VARY). DAMPER MAY BE SUPPLIED WITHOUT OPERATOR/ACTUATOR INSTALLED. RUSKIN'S UL LISTED FIRE DAMPER OPERATORS SPECIFIED ON DAMPER MARKING MAY BE FIELD INSTALLED. SEE OPERATOR/ACTUATOR INSTALLATION INSTRUCTIONS FOR FIELD MOUNTING OF DAMPER OPERATORS. |
| 2. | RETAINING PLATE, 20 GA STEEL |
| 3. | DAMPER PLATE, 20 GA PLATE |
| 4. | SPLICE PLATE, 20 GA STEEL, TYP BOTH PLATES |
| 5. | STEEL STUD, 25 GA MIN, 2 1/2" WIDE MIN |
| 6. | STEEL RUNNER, 25 GA MIN, 2 1/2" WIDE MIN |
| 7. | #10 SHEET METAL SCREW |
| 8. | 1/8" DIA STEEL POP RIVET, OR #10 X 1/2" SHEET METAL SCREW, OR 1/2" LONG WELDS |
| 9. | 4" DRAW BAND |

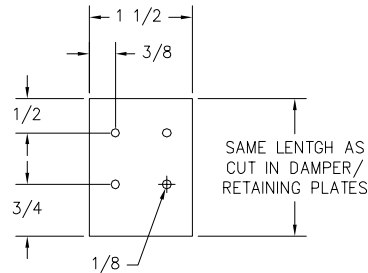
- | ITEM. | DESCRIPTION |
|-------|--|
| 1. | FSDR25 COMBINATION FIRE AND LEAKAGE RATED DAMPER
*OPERATOR/ACTUATOR (LOCATION MAY VARY). DAMPER MAY BE SUPPLIED WITHOUT OPERATOR/ACTUATOR INSTALLED. RUSKIN'S UL LISTED FIRE DAMPER OPERATORS SPECIFIED ON DAMPER MARKING MAY BE FIELD INSTALLED. SEE OPERATOR/ACTUATOR INSTALLATION INSTRUCTIONS FOR FIELD MOUNTING OF DAMPER OPERATORS. |
| 2. | 4" DRAW BAND |
| 3. | DUCT |
| 4. | AUXILLARY OPERATING JACKSHAFT |
| 5. | OVER CENTER LOCK |
| 6. | DAMPER AND RETAINING PLATES (SEE NOTE 5) |
| 7. | RETAINING CLIP 1" X 1" X 1" 16 GA ANGLE (SEE NOTE 5) |



DAMPER AND RETAINING PLATES DETAIL



SPLICE DETAIL



SPLICE PLATE DETAIL
20 GA. GALV.

ALL DIMENSIONS IN INCHES

A AND B = DAMPER DIA PLUS 3"

D1 = DAMPER DIA MINUS 9/16" FOR RETAINING PLATE

D2 = DAMPER DIA FOR DAMPER PLATE