

## OPTIONAL SEALANT OF DAMPERS IN FIRE RATED WALL OR FLOOR OPENINGS INSTALLATION INSTRUCTIONS SUPPLEMENT

### APPLICATION

Application of sealant between the mounting angles or retaining plates and the fire rated wall or floor is not required by Underwriters Laboratories. However, if a tight seal on these areas is specified, sealant shall be applied as shown here.

**Note:** If opening size allows for angle on one side only then sealant shall be applied on only angle side. Nothing is required on non-angle side.

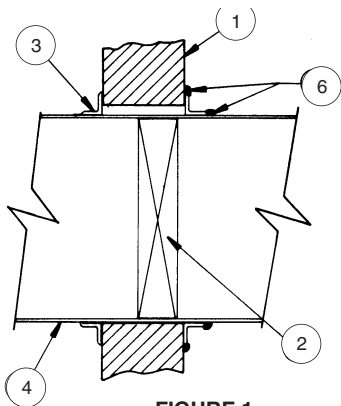


FIGURE 1

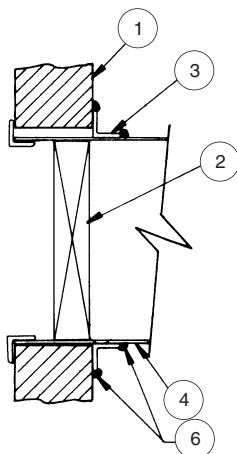


FIGURE 3

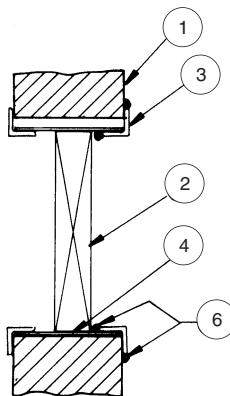


FIGURE 2

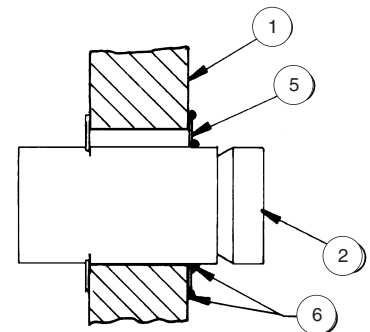


FIGURE 4

### GENERAL INSTALLATION

Follow the sealant manufacturer's directions, remove dirt, grease, and moisture from the surface to be sealed. Apply a continuous bead of sealant to the location applicable to your specific installation. (See figures 1 through 4.)

#### Approved sealant or fire stop materials:

**Dow Corning - Silastic 732RTV**

**GE - RTV 108**

**Hilti Corporation - FS-One, CP606**

**3M - #M-CP 25WB+**

**Specified Technologies, Inc. - SpecSeal® Series SSS or LCI**

**John Manville International, Inc. - Firetemp™ CI**

**Rectorseal - Metacaulk 1000, Metacaulk 350i, Biostop 500+ or Biostop 350i**

**Do not apply sealant within the required expansion gap between the damper and the fire rated wall or floor.**

Press the surface of the sealant in place to dispel any air. Allow sealant to set up and become tack-free before operating the damper. Refer to the appropriate damper installation instructions for details on damper installation.

For installation with firestop material applied into the expansion gap see "Optional Firestop Material" installation instructions supplement.

ITEM	DESCRIPTION
1.	Fire Rated Wall or Floor
2.	Damper
3.	FAST/PFMA/conventional mounting angles
4.	Sleeve
5.	Retaining Plate
6.	Sealant (see general installation for specific sealant)



SEE COMPLETE MARKING  
ON PRODUCT

***RUSKIN***<sup>®</sup>

3900 Dr. Greaves Rd.  
Kansas City, MO 64030  
(816) 761-7476  
FAX (816) 765-8955  
[www.ruskin.com](http://www.ruskin.com)