

TRANSFER OPENINGS AND GRILLE DUCT TERMINATIONS INSTALLATION INSTRUCTIONS SUPPLEMENT

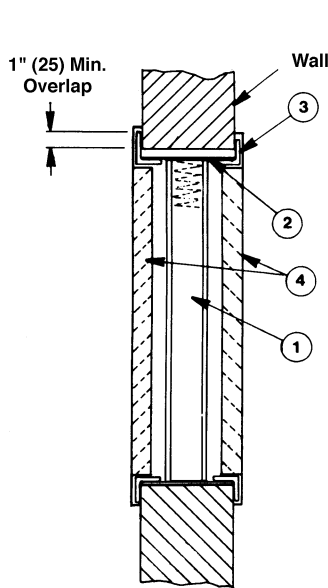


FIGURE 1
TRANSFER OPENING
CURTAIN TYPE FIRE DAMPER

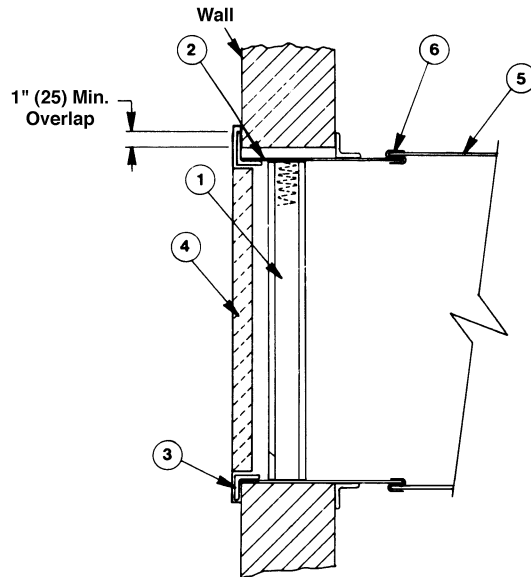


FIGURE 2
GRILLE DUCT TERMINATION
CURTAIN TYPE FIRE DAMPER

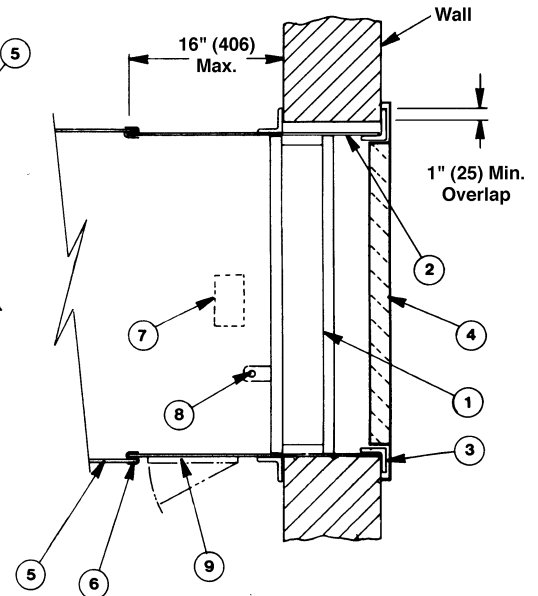


FIGURE 3
GRILLE DUCT TERMINATION
MULTIPLE BLADE FIRE DAMPER OR
COMBINATION FIRE AND SMOKE DAMPER

APPLICATIONS

Ruskin fire and combination fire and smoke dampers with 1½ and 3 hour fire ratings may be installed in transfer opening and grille duct termination applications. **Grille installation in these applications is optional.**

Select the damper with sleeve of sufficient length to fit flush with wall or floor where appropriate and to permit attachment of perimeter mounting angles and ductwork where required. Ruskin fire and smoke dampers require mounting angles on only one side of the wall or floor. Refer to the appropriate installation instructions for specific information.

GENERAL INSTALLATION

1. Install dampers within opening as defined in the appropriate damper installation instructions sheet. Sleeve shall be flush with wall or floor on one side of the damper for duct termination applications and on both sides for transfer opening applications.
2. Place mounting angles around damper as shown in the appropriate detail above on in accordance with the specific damper installation instruction. Mounting angles shall overlap wall or floor a minimum of 1" (25). Mounting angles installed on flush side of walls shall be notched in order to meet 1" (25) wall overlap requirement at damper corners.
3. Fasten angles to damper with type and quantity of fasteners as specified and detailed in the appropriate installation instructions for the damper model. The inverted mounting angle on the grille side (refer to application figures above) can be eliminated or the angle on the wall side opposite the grille can be eliminated (refer to note #4). When a single angle is used, the angle must be fastened to the damper sleeve and wall or top of the floor in accordance with the installation instructions for the damper.

Dimensions shown in parentheses () indicate millimeters.

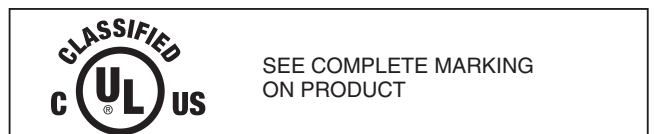
ITEM

DESCRIPTION

- | | |
|----|--|
| 1. | Curtain type or multiple blade fire damper |
| 2. | Damper sleeve |
| 3. | Mounting angle (see note 4 below) |
| 4. | Grille (optional – supplied by others) |
| 5. | Duct |
| 6. | Duct to damper sleeve connection |
| 7. | Actuator (location varies) |
| 8. | Jackshaft (indicates damper positioning) |
| 9. | Access door (optional) |

NOTES:

1. For installation information not covered in this sheet, reference appropriate damper basic installation instructions.
2. Grilles are optional and supplied by others.
3. Vertical installation is shown; horizontal installation is similar.
4. 1½ hour fire rated dampers that are 90"w x 48"h (2286 x 1219) or 48"w x 90"h (1219 x 2286) and smaller may be installed with angles on only one side of the barrier (either side of the wall or top of the floor).



RUSKIN[®]

3900 Dr. Greaves Rd.
Kansas City, MO 64030
(816) 761-7476
FAX (816) 765-8955
www.ruskin.com