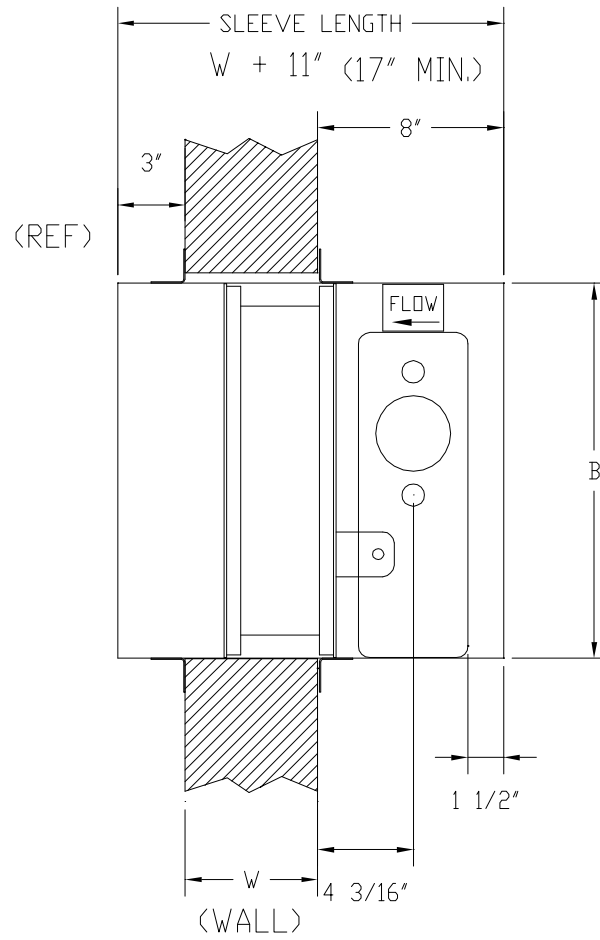


TYP. FOR UNITS 20" AND UNDER "B" DIM.



TYP. FOR UNITS OVER 20" "B" DIM.

