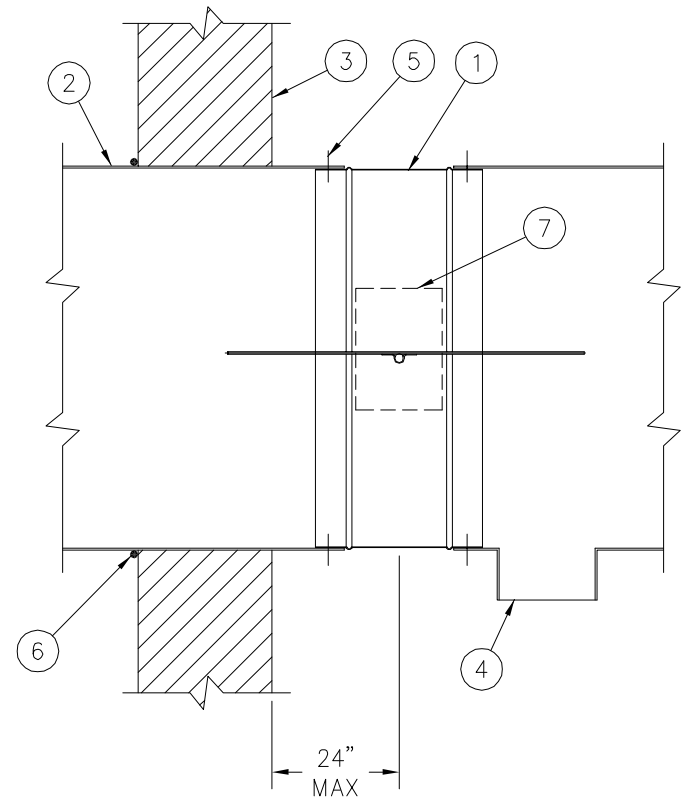


SD34, SD35, SD36, SD37, SD50, OR SD60
 MULTIPLE BLADE LEAKAGE RATED DAMPER
 INSTALLED WITHIN A DUCT OR SLEEVE
 (SD50/SD60 SHOWN)



SDS25 OR SDRS25
 SINGLE BLADE LEAKAGE RATED DAMPER
 INSTALLED WITHIN A DUCT OR SLEEVE

ITEM.	DESCRIPTION
-------	-------------

- | | |
|----|-------------------|
| 1. | DAMPER |
| 2. | DUCT (SLEEVE) |
| 3. | SMOKE BARRIER |
| 4. | DUCT OUTLET |
| 5. | #8 MIN FASTENER |
| 6. | CAULKING MATERIAL |
| 7. | OPERATOR/ACTUATOR |

DAMPER MAY BE SUPPLIED WITHOUT OPERATOR/ACTUATOR INSTALLED. RUSKIN'S UL LISTED FIRE DAMPER OPERATORS SPECIFIED ON DAMPER MARKING MAY BE FIELD INSTALLED. SEE OPERATOR/ACTUATOR INSTALLATION INSTRUCTIONS FOR FIELD MOUNTING OF DAMPER OPERATORS.