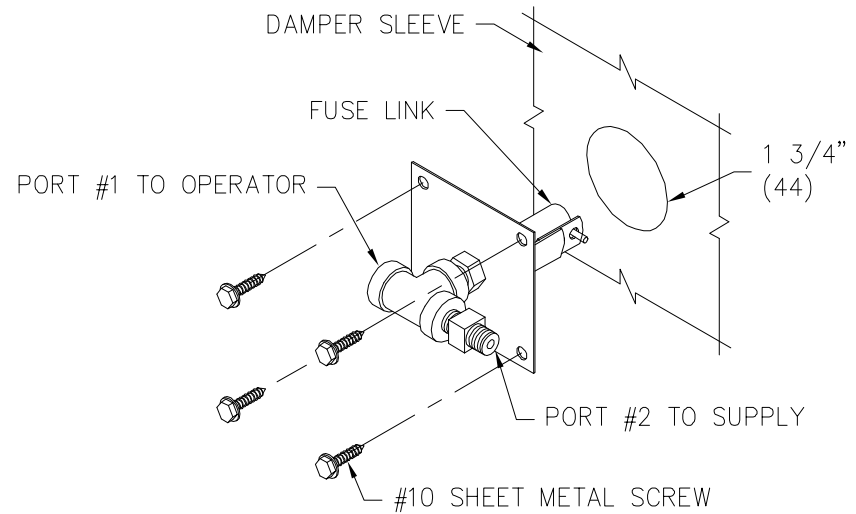
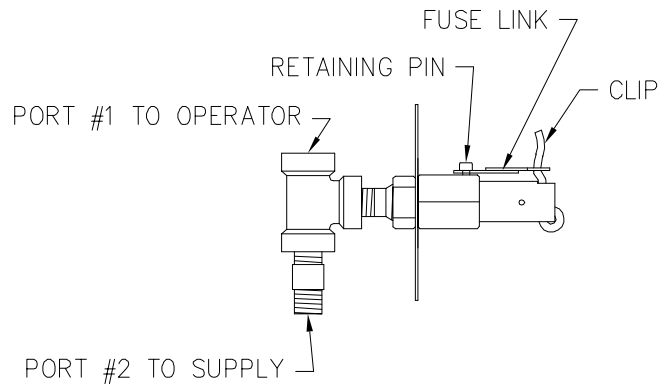
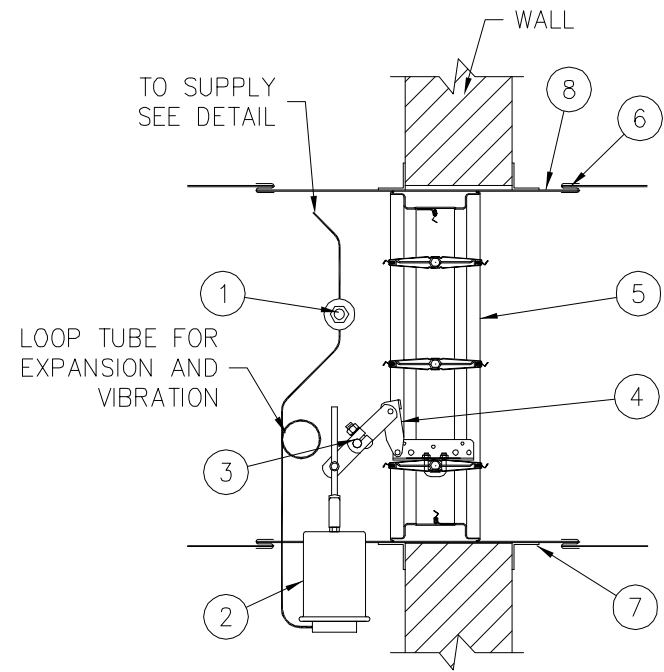


ITEM.	DESCRIPTION
1.	PFL PNEUMATIC FUSE LINK
2.	ACTUATOR
3.	JACKSHAFT
4.	OVER CENTER LOCK
5.	DAMPER
6.	SLEEVE TO DUCT CONNECTION (BY OTHERS)
7.	PFMA OR CONVENTIONAL MOUNTING ANGLES
8.	SLEEVE



PIPING
 PORT #1 TO OPERATOR
 PORT #2 TO SUPPLY