

FIGURE 1

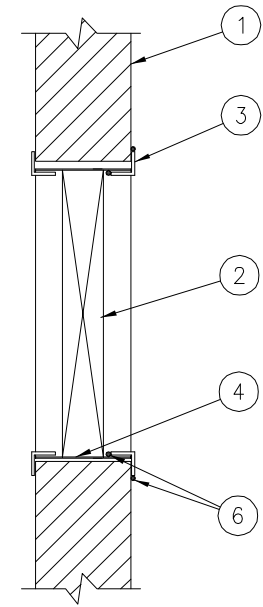


FIGURE 2

- | ITEM. | DESCRIPTION              |
|-------|--------------------------|
| 1.    | FIRE RATED WALL OR FLOOR |
| 2.    | DAMPER                   |
| 3.    | MOUNTING ANGLES          |
| 4.    | SLEEVE                   |
| 5.    | RETAINING PLATE          |
| 6.    | SEALANT                  |

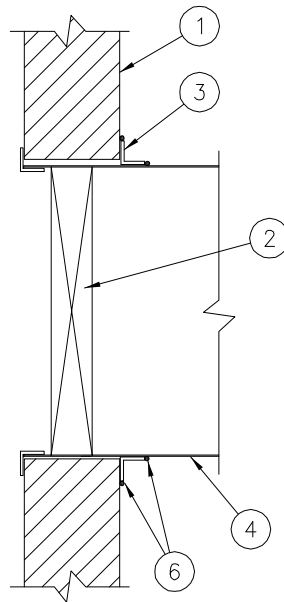


FIGURE 3

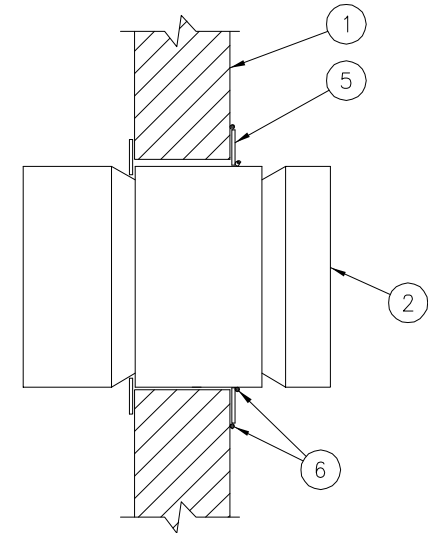


FIGURE 4