

FIGURE 1
TRANSFER OPENING
CURTAIN TYPE FIRE DAMPER

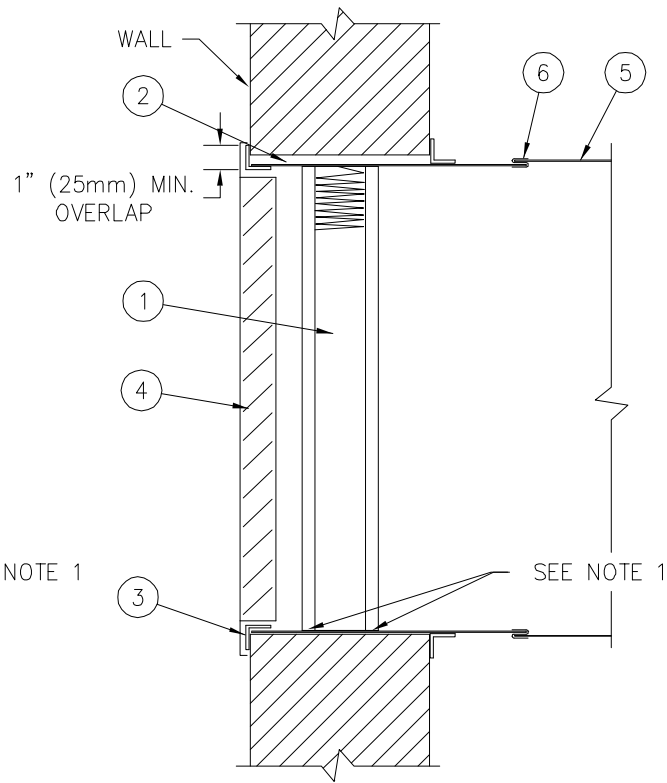


FIGURE 2
TRANSFER OPENING
CURTAIN TYPE FIRE DAMPER

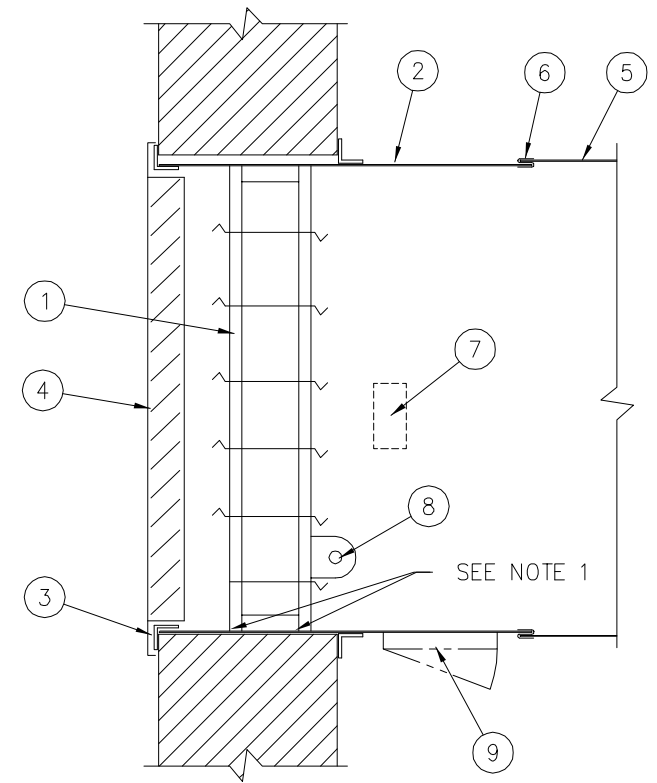


FIGURE 3
TRANSFER OPENING
MULTIPLE BLADE FIRE DAMPER

ITEM.	DESCRIPTION
1.	CURTAIN TYPE OR MULTIPLE BLADE FIRE DAMPER
2.	DAMPER SLEEVE
3.	MOUNTING ANGLES
4.	GRILLE (OPTIONAL—SUPPLIED BY OTHERS)
5.	DUCT
6.	DUCT TO DAMPER SLEEVE CONNECTION
7.	ACTUATOR (LOCATION MAY VARY)
8.	JACKSHAFT (INDICATES DAMPER POSITIONING)
9.	ACCESS DOOR (OPTIONAL)