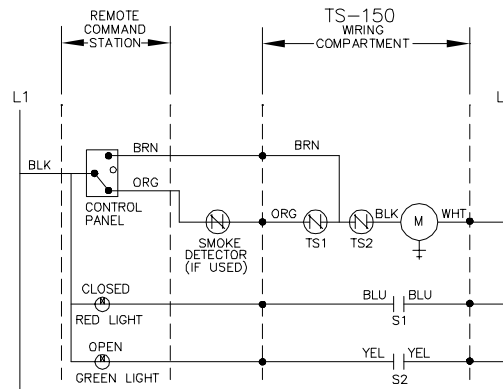
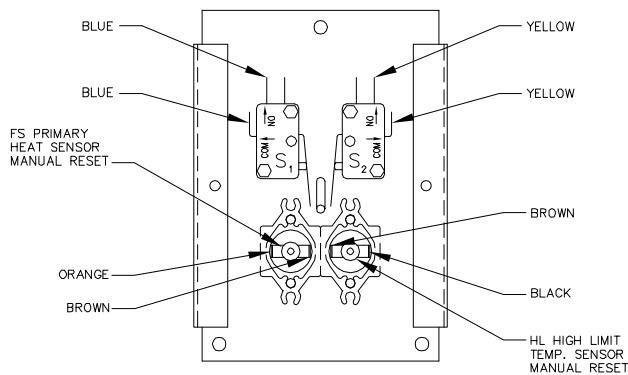


| ITEM. | DESCRIPTION                           |
|-------|---------------------------------------|
| 1.    | TS150EZ FIRE STAT                     |
| 2.    | ADJUSTABLE CONNECTING ROD             |
| 3.    | FLEX CONDUIT                          |
| 4.    | DAMPER FRAME                          |
| 5.    | ACTUATOR                              |
| 6.    | OVER CENTER LOCK                      |
| 7.    | DAMPER SLEEVE                         |
| 8.    | PFMA OR CONVENTIONAL MOUNTING ANGLES  |
| 9.    | SLEEVE TO DUCT CONNECTION (BY OTHERS) |



- M - ELECTRIC ACTUATOR OR EP-SWITCH
- TS<sub>1</sub> - PRIMARY TEMP. SENSOR
- TS<sub>2</sub> - HIGH LIMIT TEMP. SENSOR
- S<sub>1</sub> - DAMPER POSITION INDICATOR SWITCH. CLOSED WHEN DAMPER IS CLOSED.
- S<sub>2</sub> - DAMPER POSITION INDICATOR SWITCH. CLOSED WHEN DAMPER IS OPEN.