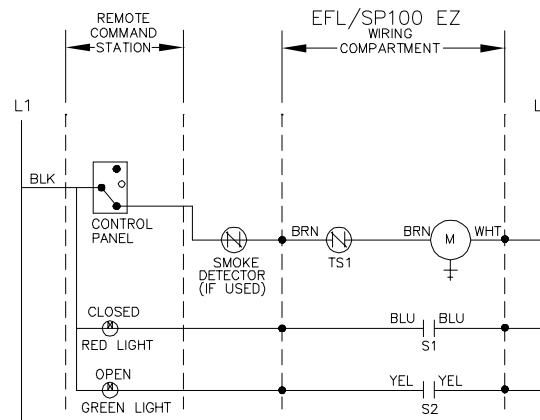
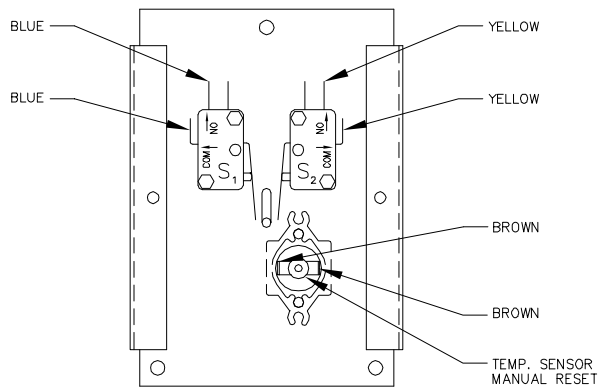


ITEM.	DESCRIPTION
1.	EFL/SP100
2.	ADJUSTABLE CONNECTING ROD
3.	FLEX CONDUIT
4.	DAMPER FRAME
5.	ACTUATOR
6.	OVER CENTER LOCK
7.	DAMPER SLEEVE
8.	PFMA OR CONVENTIONAL MOUNTING ANGLES
9.	SLEEVE TO DUCT CONNECTION (BY OTHERS)



- M - ELECTRIC ACTUATOR OR EP-SWITCH
- TS₁ - TEMP. SENSOR
- S₁ - DAMPER POSITION INDICATOR SWITCH. CLOSED WHEN DAMPER IS CLOSED.
- S₂ - DAMPER POSITION INDICATOR SWITCH. CLOSED WHEN DAMPER IS OPEN.