

OPTIONAL FIRESTOP MATERIAL INSTALLATION INSTRUCTIONS SUPPLEMENT

APPLICATION

Application of firestopping caulk in the annular space surrounding a 1½ or 3 hour curtain type or multi-blade fire and combination fire and smoke dampers is not required. However, if the Authority Having Jurisdiction or the installation warrants firestopping in place of a "standard" retaining angle installation, these instructions apply.

1. Wall or Floor Assembly –

Concrete wall or floor – must be a minimum 2½" thick normal weight (100 - 150 pcf) or minimum 4½" thick lightweight concrete. The wall may be constructed of any UL Classified Concrete Block.

Gypsum wallboard/stud wall – must be constructed of the materials and in the manner specified in the U400 Series Wall and Partition Designs in the UL Fire Resistance Directory. Studs shall be minimum 3½" (89) steel channel spaced a maximum 24" (610) on center. Opening must be completely framed.

2. Damper – Ruskin fire or fire/leakage rated damper in minimum 20 gage (1.0) sleeve. Damper size shall not exceed 90" x 48" (2286 x 1219) or 48" x 90" (1219 x 2286).

3. Expansion Clearance – The opening in the wall or floor must be a minimum of 1/8" per foot (3 per 305) larger than the overall damper/sleeve assembly. The maximum opening size is 1" (25) larger than the minimum clearance with a 1½" (38) maximum space between the damper sleeve and wall or floor.

4. Packing (Optional) – Polyethylene backer rod, recessed from both surfaces of wall or floor to accommodate the required thickness of fill material.

5. Fill Material – Fire stop caulk applied to a minimum 5/8" (16) thickness for 1½ hour dampers or 1" (25) for 3 hour dampers within the annular space and flush with both surfaces of the wall or bottom surface of floor. If the damper/sleeve assembly comes into contact with the wall or floor, a minimum 3/8" (10) diameter bead shall be applied to the interface between the sleeve and contact surface.

Hilti Corporation - FS-One, CP606

3M - #M-CP 25WB+

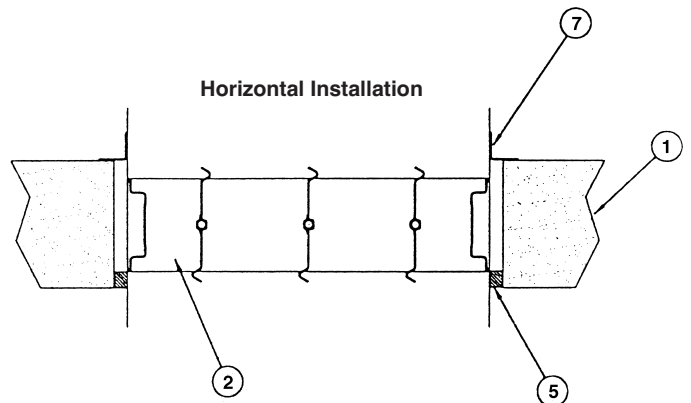
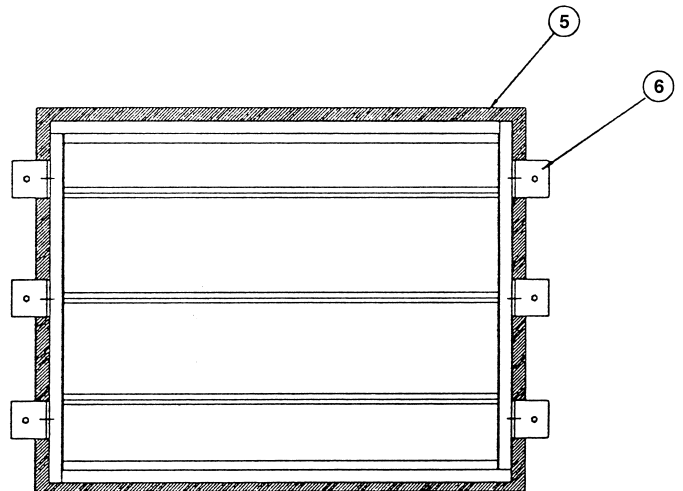
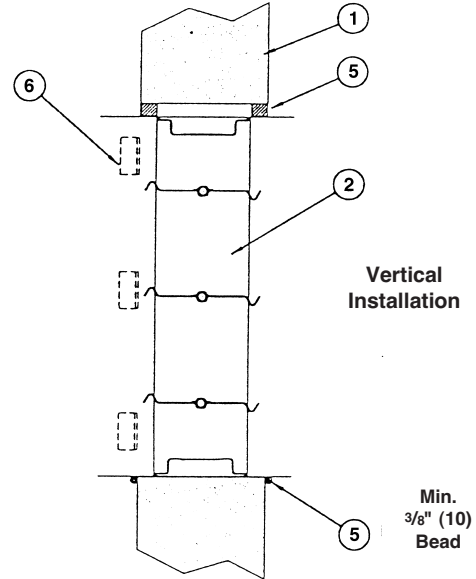
Specified Technologies, Inc. - SpecSeal® Series SSS or LCI

John Manville International, Inc. - Firetemp™ CI

Rectorseal - Metacaulk 1000, Metacaulk 350i, Biostop 500+ or Biostop 350i

6. Retaining Clip – (Walls Only), 1" x 2" x 2" x 16 gage (25 x 51 x 51 x 1.6) angle attached to one side of the wall with 1½" (38) long #8 wallboard screws or #8 masonry screws in masonry walls. The 1" (25) leg of the angle shall be attached to the damper sleeve with ½" (13) long #10 sheet metal screws. The angles are required to be spaced a maximum of 6" (152) from the top of sleeve and spaced a maximum of 12" (305) on center on the sides of the unit only.

7. Retaining Angle – Retaining angles are required on side of wall opposite retaining clips for 3 hour vertical dampers larger than 24" x 24" and on top side of floor for all horizontal fire dampers. Ruskin PFMA as shown in the supplemental installation instructions or minimum 1½ x 1½ x 16 gage (38 x 38 x 1.6) galvanized retaining angles may be substituted for the caulking on the side of wall opposite the retaining clips. The angle must overlap the wall or floor a minimum of 1" (25) and shall be attached to the sleeve of the fire damper with #10 bolts or screws, ½" (13) long tack welds or 3/16" (5) diameter steel rivets with a minimum of two connections on each side, top and bottom of the damper. Space fasteners 8" (203) on center. Do not weld or fasten angles together at corners of damper.



CLASSIFIED

US

SEE COMPLETE MARKING
ON PRODUCT

RUSKIN[®]

3900 Dr. Greaves Rd.
Kansas City, MO 64030
(816) 761-7476
FAX (816) 765-8955
www.ruskin.com