

# CFD7

## Ceiling Fire Dampers

### UL Classified Radiation Dampers for Wood Joist Construction



#### APPLICATION

The CFD7 is a UL Classified Ceiling Fire Damper that is UL approved for installation in ceilings constructed from wood joists. Some of the approved ceiling designs are L501, L502, L512, L522, M525, etc. The CFD7 must be factory or field installed in an insulated steel sleeve/box (minimum 24 gauge). The steel box, with external insulation, must be sized to fit between the joists with a minimum clearance between the external insulation and joist/ceiling of 3/4". Factory supplied boxes are 8 3/4" (222) tall to fit between nominal 2" x 10" joists. The insulation is provided by the factory and is shipped loose for field installation. When box is factory supplied the damper is placed to accommodate a grille depth of 3/4" (38). Refer to the installation instructions for appropriate installation details.

#### STANDARD CONSTRUCTION

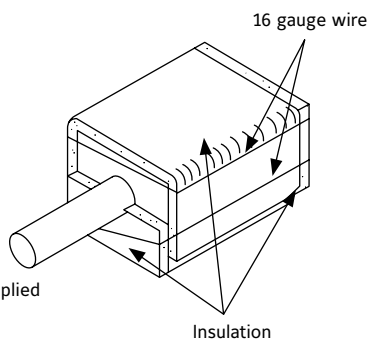
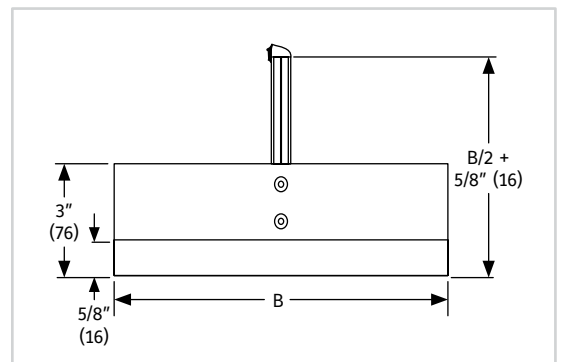
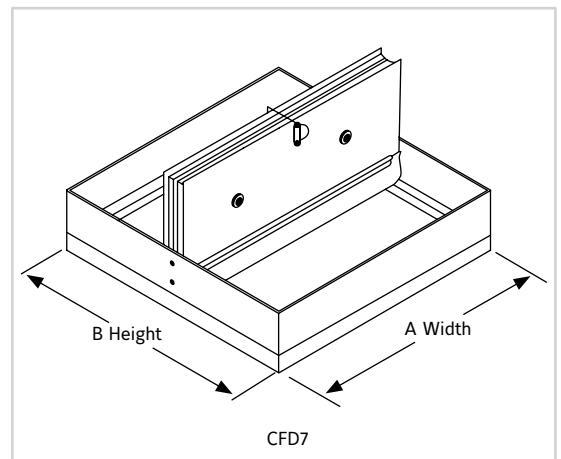
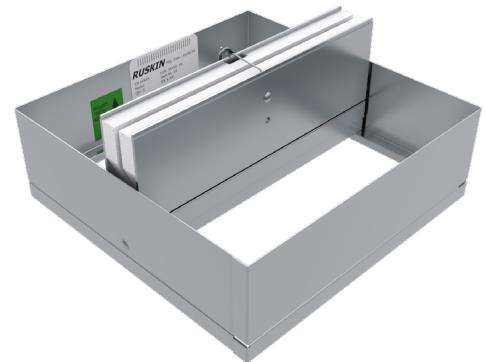
<b>Frame</b>	24 gauge (.6) galvanized steel.
<b>Blade</b>	24 gauge (.6) galvanized steel, with UL classified insulation as required.
<b>Fusible Link</b>	165°F (74°C) is standard. 212°F (100°C) is available at no additional cost.
<b>Minimum Size (Damper Sizes)</b>	5"w x 4"h (127 x 102).
<b>Maximum Size (Damper Sizes)</b>	16"w x 12"h (406 x 305).

#### UL CLASSIFIED ULC LISTED

UL555C Listing R8039

#### Model CFD7 meets the requirements for fire/radiation dampers established by:

- ▶ National Fire Protection Association NFPA Standards 80, 90A, 92A, 92B, and 101.
- ▶ ICC International Building Codes
- ▶ CSFM California State Fire Marshal Listing (3225-0245:0123)



CFD7 Installed in a required Insulated Damper Box.  
Box can be supplied by the factory, as an option, or provided by the installer.

NOTE:  
- Dimensions in parentheses ( ) indicate millimeters.

**i LINKS TO IMPORTANT DOCUMENTS**

Document Title
II-CFD7-420
II-CFD7-Supplement L524-420
II-CFD7-Supplement-G548-420



3900 Doctor Greaves Road  
Grandview, MO 64030  
Website: [www.ruskin.com](http://www.ruskin.com)  
Phone: (816) 761-7476