

CFDR7T

Round Ceiling Fire Dampers

UL Classified Radiation Dampers for Wood Truss Construction



APPLICATION

The CFDR7T is a UL Classified Ceiling Fire Damper that is UL listed for installation in wood truss floor/ceiling and roof/ceiling designs L528, L546, L558, L574, L585, L586, L592, P533, P545, P548, P572 and H502. These designs are also similar to the fire resistance rated ceiling construction described in the International Building Code. Unlike other ceiling dampers designed and tested for wood truss applications. The CFDR7T is also UL approved for installation with duct connection below the membrane penetration.

The CFDR7-T is designed to allow up to 2 3/8" (61) grille/diffuser extension into the damper. Steel or non-ferrous grille/diffusers may be used. Non-ferrous grille/diffusers require a plaster flange between the grille/diffuser and the ceiling membrane.

The CFDR7T is constructed with a 1" (25.4) factory roll formed plaster flange to connect the Grille/Diffuser in to.



STANDARD CONSTRUCTION

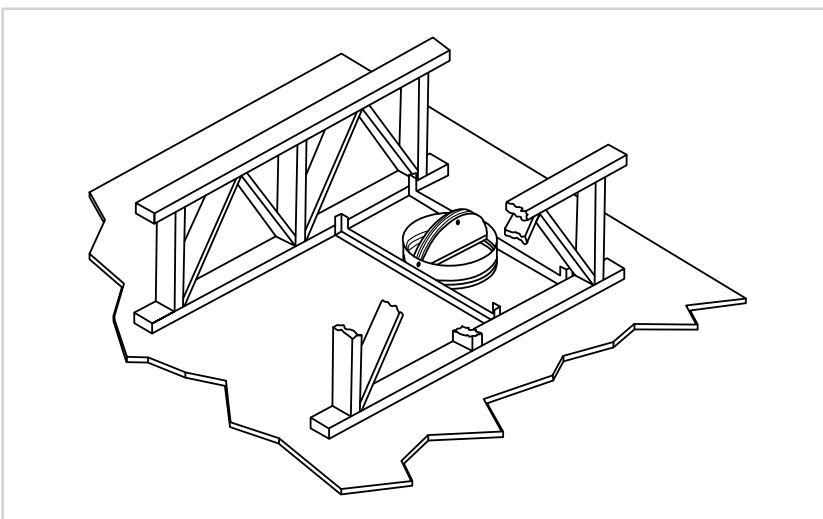
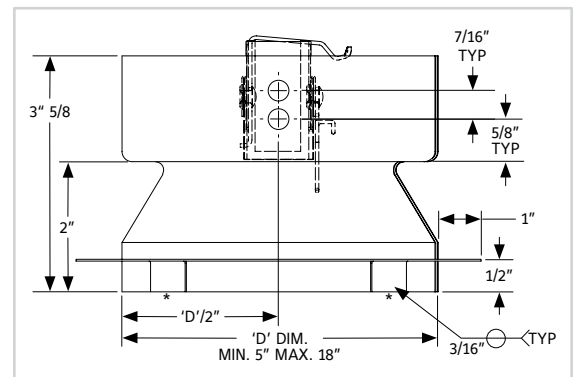
Frame	24 gauge (.6) galvanized steel.
Blade	24 gauge (.6) galvanized steel, with UL classified insulation as required.
Fusible Link	165°F (74°C) is standard. 212°F (100°C) is available at no additional cost.
Minimum Size (Damper Sizes)	5" dia. (127).
Maximum Size (Damper Sizes)	18" dia. (457).

UL CLASSIFIED

UL555C Listing R8039

Model CFDR7T meets the requirements for fire/radiation dampers established by:

- ▶ National Fire Protection Association NFPA Standards 80, 90A, 92A, 92B, and 101.
- ▶ ICC International Building Codes
- ▶ CSFM California State Fire Marshal Listing (3225-0245:0123)

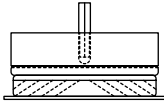


NOTE:

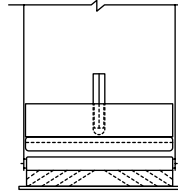
- Dimensions shown in parentheses () indicate millimeters.

CFDR7-T CEILING FIRE DAMPERS

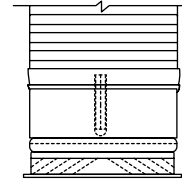
HOW TO ORDER



DUCTLESS INSTALLATION
Order "actual size" with standard frame. Damper installs over diffuser neck.

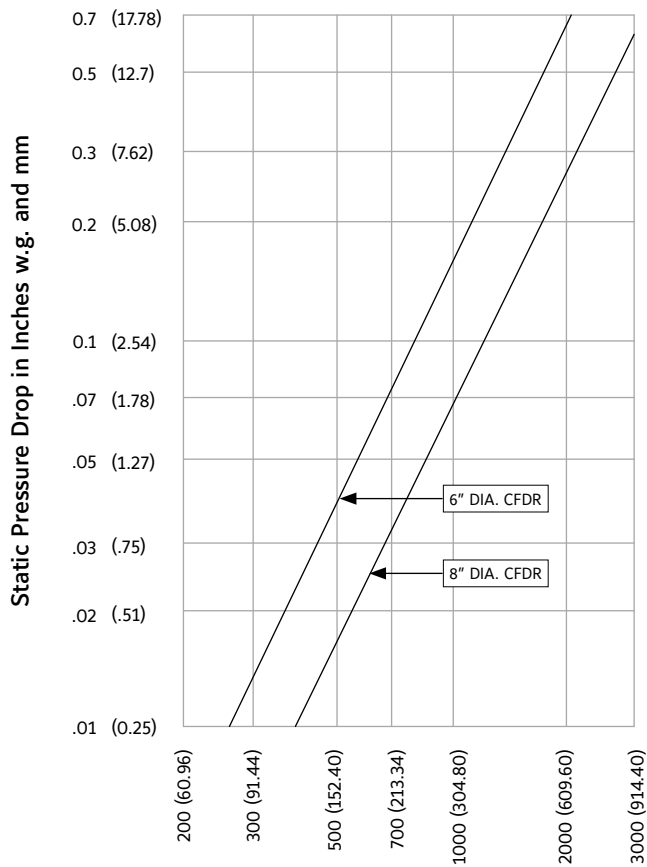


STEEL DUCT INSTALLATION
Order "deduct 1/4" (6) with standard frame. Damper installs inside duct.



FLEX DUCT INSTALLATION
Order "actual size" with extended frame. Damper installs over diffuser neck, flex duct installs over damper.

PRESSURE DROP – DAMPER OPEN (Size as noted)



Air Velocity in feet and meters per minute through Face Area
Tested per AMCA Std. 500, Fig. 5.2, ductwork upstream.

LINKS TO IMPORTANT DOCUMENTS

Document Title

Installation instructions



3900 Doctor Greaves Road
Grandview, MO 64030
Website: www.ruskin.com
Phone: (816) 761-7476