

ELF811DD STATIONARY LOUVER DOUBLE DRAINABLE BLADE EXTRUDED ALUMINUM

STANDARD CONSTRUCTION

FRAME

4" (102) deep, 6063T5 extruded aluminum with .090" (2.3) nominal wall thickness. Downspouts and caulking surfaces provided.

BLADES

6063T5 extruded aluminum with .081" (2.1) nominal wall thickness. Double drainable blades are positioned at 45° angle and spaced approximately 5^{3/32}" (129) center to center.

SCREEN

3/4" x .051" (19 x 1.3) expanded, flattened aluminum bird screen in removable frame. Screen adds approximately 1/2" (13) to louver depth.

FINISH

Mill.

MINIMUM SIZE

12"w x 12"h (305 x 305).

APPROXIMATE SHIPPING WEIGHT

4 lbs. per sq. ft.

MAXIMUM FACTORY ASSEMBLY SIZE

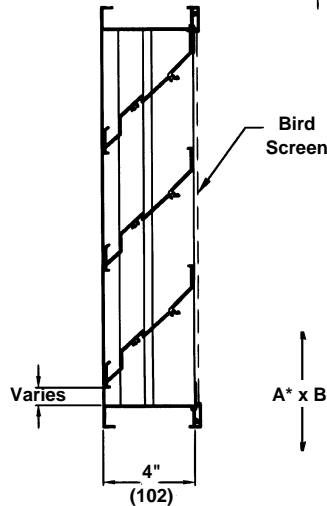
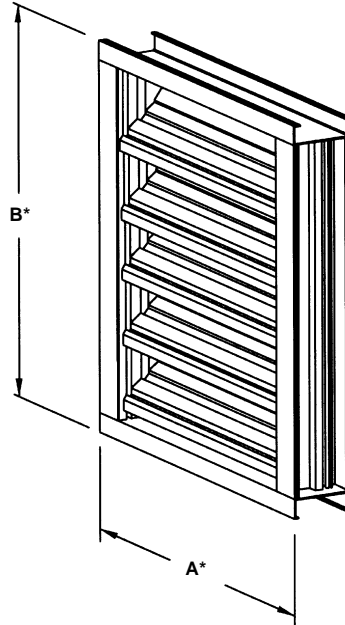
Shall be 75 sq. ft. (7m²) per section, not to exceed 120"w x 90"h (3048 x 2286) or 90"w x 120"h (2286 x 3048).

Louvers larger than the maximum factory assembly size will require field assembly of smaller sections.

SUPPORTS

Louvers may be provided with rear mounted blade supports that increase overall louver depth depending on louver size, assembly configuration or windload.

Consult Ruskin for additional information.



FEATURES

The ELF811DD offers:

- Published performance ratings based on testing in accordance with AMCA Publication 511.
- Double drain gutters in each blade and downspouts in jambs and mullions to drain water from louver for minimum water cascade from blade to blade.
- Architecturally styled hidden mullions allowing continuous line appearance up to 120" (3048).
- All aluminum construction for low maintenance and high resistance to corrosion.
- Low pressure drop and low water penetration.

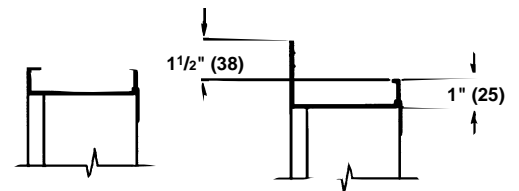
VARIATIONS

Variations to the basic design of this louver are available at additional cost. They include:

- Extended sill.
- Hinged frame.
- Front or rear security bars.
- Filter racks.
- A variety of bird and insect screens.
- Selection of finishes: prime coat, baked enamel (modified fluoropolymer), epoxy, Acrodize, Kynar, clear and color anodize. (Some variation in anodize color consistency is possible.)

Consult Ruskin for other special requirements.

FRAME CONSTRUCTION



STANDARD

INTEGRAL FLANGE

Dimensions in inches, parenthesis () indicate millimeters.

*Units furnished 1/4" (6) smaller than given opening dimensions.

TAG	QTY.	SIZE		FRAME	VARIATIONS
		A*-WIDE	B*-HIGH		
PROJECT ARCH./ENGR. REPRESENTATIVE			LOCATION CONTRACTOR DATE		

SUGGESTED SPECIFICATION

Furnish and install louvers as hereinafter specified where shown on plans or as described in schedules. Louvers shall be stationary double drainable with drain gutters in each blade and downspouts in jambs and mullions. Stationary drainable blades shall be contained within a 4" (102) frame. Louver components (heads, jambs, sills, blades & mullions) shall be factory assembled by the louver manufacturer. Louver sizes too large for shipping shall be built up by the contractor from factory assembled louver sections to provide overall sizes required. Louver design shall limit span between visible mullions to 10 ft. (3) and shall incorporate structural supports required to withstand a wind load of 20 lbs. per sq. ft. (.96kPa) (equivalent of a 90 mph wind [145 KPH] - specifier may substitute any loading required).

Louvers shall be Ruskin Model ELF811DD extruded 6063T5 aluminum alloy construction as follows:

Frame: .090" (2.3) wall thickness.

Blades: .081" (2.1) wall thickness at 45° angle on approximately 5³/₃₂" (129) centers.

Screen: 3/4" x .051" (19 x 1.3) expanded, flattened aluminum bird screen in removable frame.

Finish: Select finish specification from Ruskin Finishes Brochure.

Published louver performance data bearing the AMCA Certified Ratings Seal for Air Performance & Water Penetration must be submitted for approval prior to fabrication and must demonstrate pressure drop and water penetration equal to or less than the Ruskin model specified.

PERFORMANCE DATA

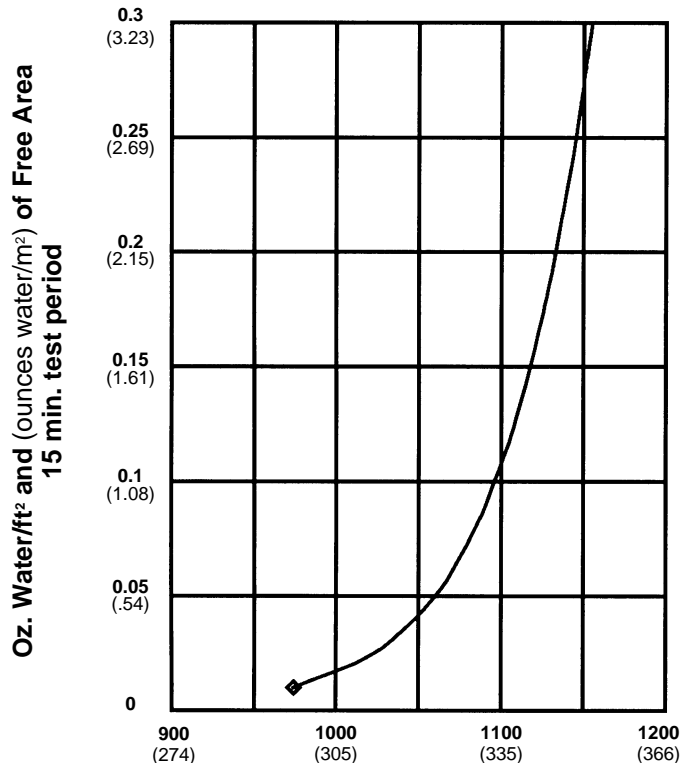
AMCA Standard 500 provides a reasonable basis for testing and rating louvers. Testing to AMCA 500 is performed under a certain set of laboratory conditions. This does not guarantee that other conditions will not occur in the actual environment where louvers must operate.

The louver system should be designed with a reasonable safety factor for louver performance. To ensure protection from water carryover, design with a performance level somewhat below maximum desired pressure drop and .01 oz./sq. ft. of water penetration.

WATER PENETRATION

Test size 48" wide x 48" high (1219 x 1219)

Beginning point of water penetration at .01 oz./sq. ft. is 974 fpm (297 m/min).



Free Area Velocity in feet and (meters) per minute
Standard air .075 lb/ft³

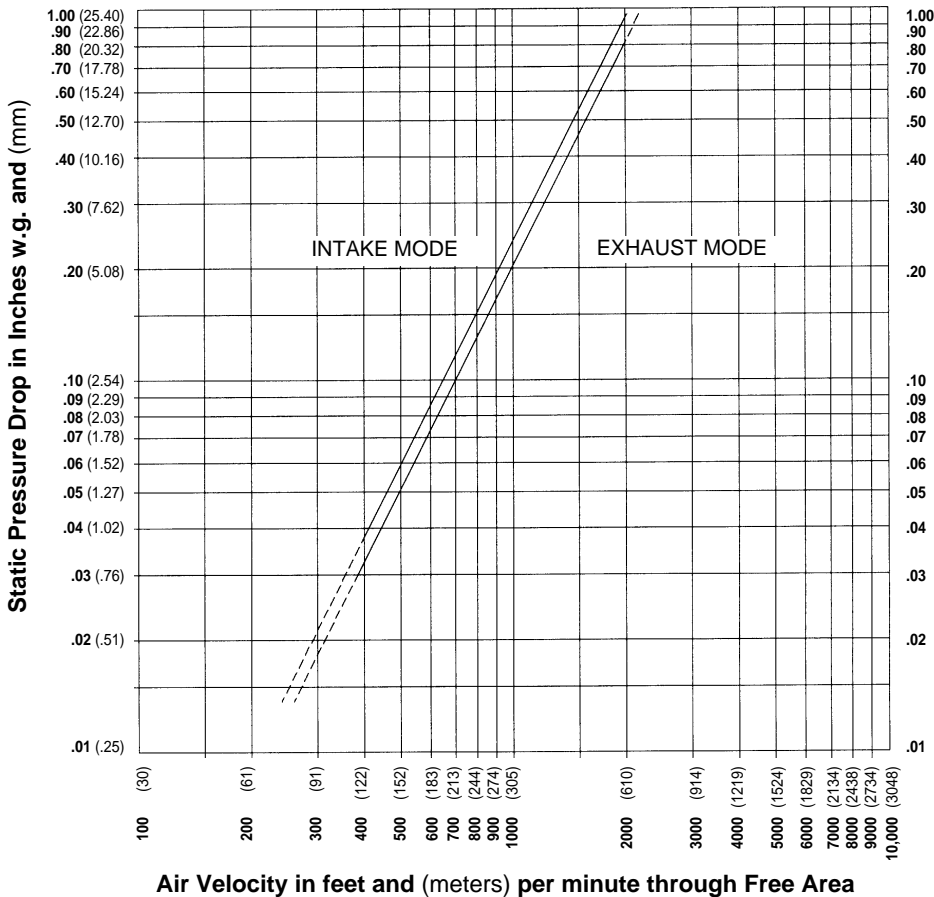
FREE AREA GUIDE

Free Area Guide shows free area in ft² and m² for various sizes of 811DD.

Width – Inches and Meters

Height – Inches and Meters	12	18	24	30	36	42	48	54	60	66	72	78	84	90	96	102	108	114	120
	0.30	0.46	0.61	0.76	0.91	1.07	1.22	1.37	1.52	1.68	1.83	1.98	2.13	2.29	2.44	2.59	2.74	2.90	3.05
12	0.17	0.27	0.38	0.48	0.59	0.69	0.80	0.90	1.01	1.11	1.21	1.32	1.42	1.53	1.63	1.74	1.84	1.94	2.05
0.30	0.02	0.03	0.04	0.04	0.05	0.06	0.07	0.08	0.09	0.10	0.11	0.12	0.13	0.14	0.15	0.16	0.17	0.18	0.19
18	0.41	0.66	0.91	1.16	1.41	1.65	1.90	2.15	2.40	2.65	2.90	3.15	3.40	3.65	3.90	4.15	4.40	4.65	4.90
0.46	0.04	0.06	0.08	0.11	0.13	0.15	0.18	0.20	0.22	0.25	0.27	0.29	0.32	0.34	0.36	0.39	0.41	0.43	0.46
24	0.65	1.06	1.46	1.86	2.27	2.67	3.07	3.47	3.88	4.28	4.68	5.08	5.49	5.89	6.29	6.70	7.10	7.50	7.90
0.61	0.06	0.10	0.14	0.17	0.21	0.25	0.29	0.32	0.36	0.40	0.43	0.47	0.51	0.55	0.58	0.62	0.66	0.70	0.73
30	0.90	1.46	2.01	2.57	3.13	3.68	4.24	4.79	5.35	5.90	6.46	7.01	7.57	8.13	8.68	9.24	9.79	10.35	10.90
0.76	0.08	0.14	0.19	0.24	0.29	0.34	0.39	0.45	0.50	0.55	0.60	0.65	0.70	0.76	0.81	0.86	0.91	0.96	1.01
36	1.15	1.86	2.57	3.28	3.99	4.69	5.40	6.11	6.82	7.53	8.24	8.95	9.65	10.36	11.07	11.78	12.49	13.20	13.91
0.91	0.11	0.17	0.24	0.30	0.37	0.44	0.50	0.57	0.63	0.70	0.77	0.83	0.90	0.96	1.03	1.09	1.16	1.23	1.29
42	1.26	2.04	2.82	3.60	4.38	5.16	5.93	6.71	7.49	8.27	9.05	9.82	10.60	11.38	12.16	12.94	13.72	14.49	15.27
1.07	0.12	0.19	0.26	0.33	0.41	0.48	0.55	0.62	0.70	0.77	0.84	0.91	0.99	1.06	1.13	1.20	1.28	1.35	1.42
48	1.50	2.42	3.34	4.26	5.18	6.10	7.02	7.95	8.87	9.79	10.71	11.63	12.55	13.47	14.39	15.31	16.24	17.16	18.08
1.22	0.14	0.22	0.31	0.40	0.48	0.57	0.65	0.74	0.82	0.91	1.00	1.08	1.17	1.25	1.34	1.42	1.51	1.59	1.68
54	1.74	2.81	3.88	4.95	6.02	7.09	8.16	9.23	10.30	11.37	12.44	13.51	14.58	15.65	16.72	17.79	18.86	19.93	21.00
1.37	0.16	0.26	0.36	0.46	0.56	0.66	0.76	0.86	0.96	1.06	1.16	1.26	1.35	1.45	1.55	1.65	1.75	1.85	1.95
60	1.99	3.21	4.43	5.66	6.88	8.10	9.33	10.55	11.77	13.00	14.22	15.44	16.67	17.89	19.11	20.33	21.56	22.78	24.00
1.52	0.18	0.30	0.41	0.53	0.64	0.75	0.87	0.98	1.09	1.21	1.32	1.43	1.55	1.66	1.78	1.89	2.00	2.12	2.23
66	2.24	3.61	4.99	6.36	7.74	9.12	10.49	11.87	13.24	14.62	16.00	17.37	18.75	20.12	21.50	22.88	24.25	25.63	27.00
1.68	0.21	0.34	0.46	0.59	0.72	0.85	0.97	1.10	1.23	1.36	1.49	1.61	1.74	1.87	2.00	2.13	2.25	2.38	2.51
72	2.48	4.01	5.54	7.07	8.60	10.13	11.66	13.19	14.72	16.25	17.77	19.30	20.83	22.36	23.89	25.42	26.95	28.48	30.01
1.83	0.23	0.37	0.51	0.66	0.80	0.94	1.08	1.23	1.37	1.51	1.65	1.79	1.94	2.08	2.22	2.36	2.50	2.65	2.79
78	2.59	4.19	5.78	7.38	8.97	10.57	12.16	13.76	15.35	16.95	18.54	20.14	21.73	23.33	24.92	26.52	28.11	29.71	31.30
1.98	0.24	0.39	0.54	0.69	0.83	0.98	1.13	1.28	1.43	1.58	1.72	1.87	2.02	2.17	2.32	2.46	2.61	2.76	2.91
84	2.82	4.56	6.30	8.04	9.77	11.51	13.25	14.99	16.73	18.46	20.20	21.94	23.68	25.41	27.15	28.89	30.63	32.36	34.10
2.13	0.26	0.42	0.59	0.75	0.91	1.07	1.23	1.39	1.55	1.72	1.88	2.04	2.20	2.36	2.52	2.68	2.85	3.01	3.17
90	3.07	4.96	6.85	8.74	10.63	12.53	14.42	16.31	18.20	20.09	21.98	23.87	25.76	27.65	29.54	31.43	33.32	35.21	37.10
2.29	0.29	0.46	0.64	0.81	0.99	1.16	1.34	1.52	1.69	1.87	2.04	2.22	2.39	2.57	2.75	2.92	3.10	3.27	3.45

PRESSURE DROP



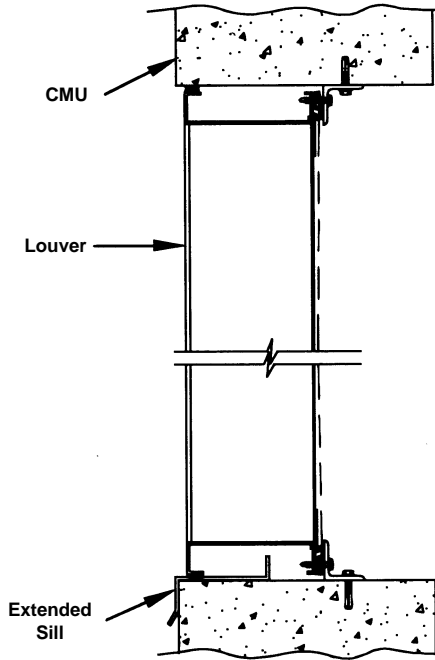
Ratings do not include the effect of a bird screen.



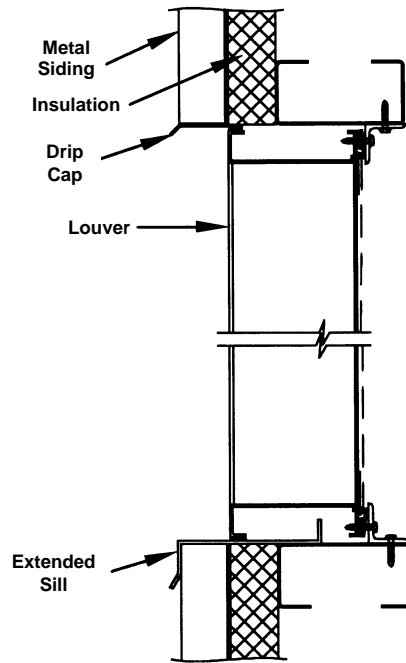
Ruskin Manufacturing Company certifies that the ELF811DD Louvers shown herein are licensed to bear the AMCA Seal. The ratings shown are based on tests and procedures performed in accordance with AMCA Publication 511 and comply with the requirements of the AMCA Certified Ratings Program. The AMCA Certified Ratings Seal applies to air performance ratings and water penetration ratings only.

TYPICAL INSTALLATION DETAILS

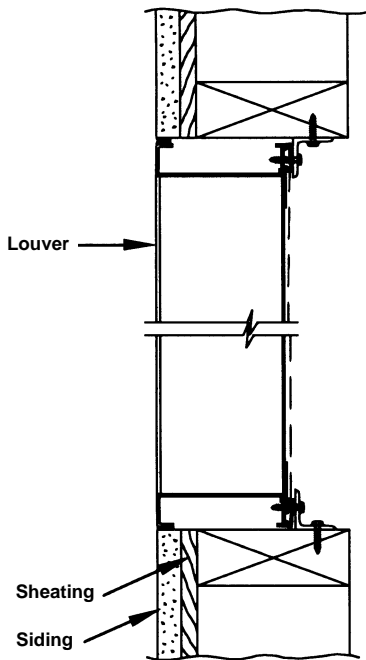
Masonry Wall



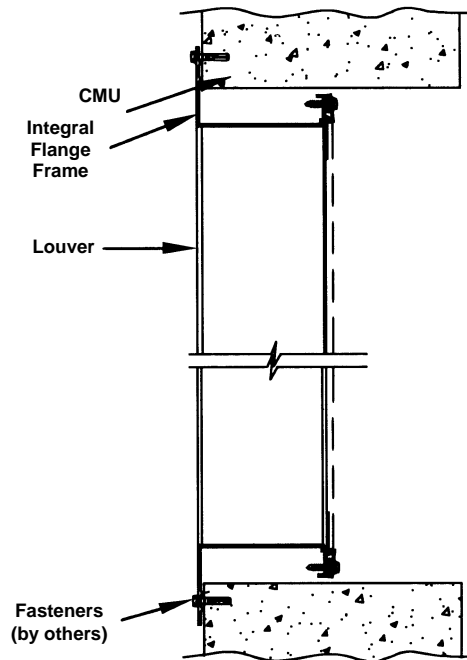
Metal Panel Wall



Wood Installation



Flange Mount



Accessories at additional cost.