

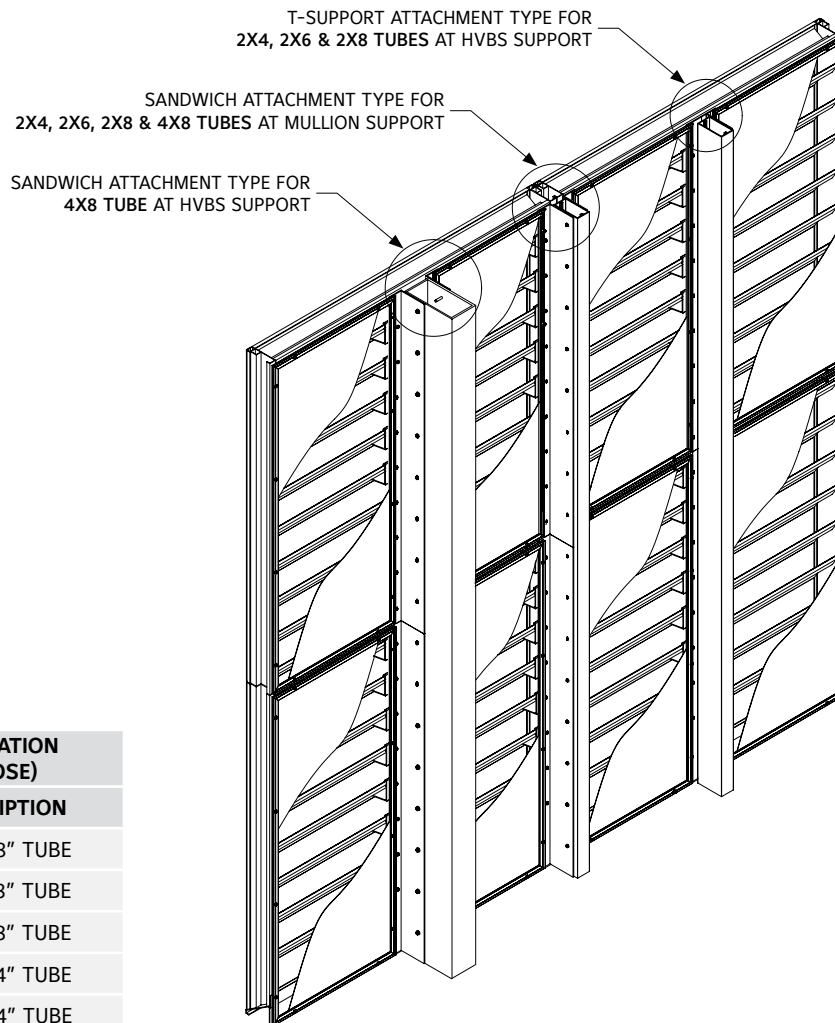
TUBES SUPPORTS

Installation Guide

ASSEMBLY PROCEDURE:

1. Make sure you have received ship loose kit with tubes & hardware. (if applicable).
2. Refer to tubes installation guide for clear installation procedures before starting it.
3. Mechanically fasten the tubes with t-support & make sure tube is levelled at certain height with the help of a wooden piece or some shims.

REFERENCE IMAGES

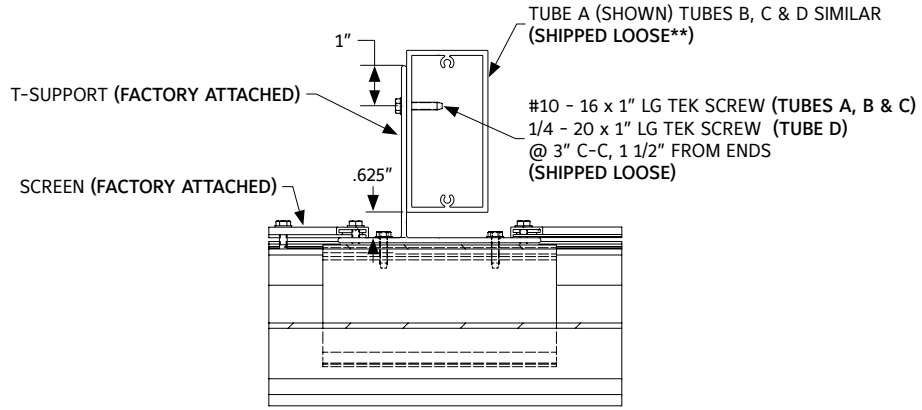


**TUBES INFORMATION
(SHIPPED LOOSE)**

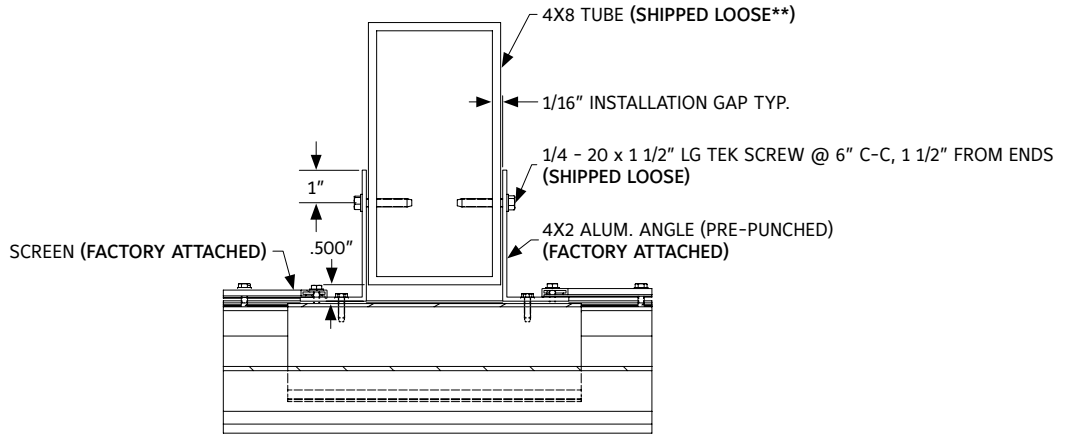
TUBES	DESCRIPTION
A	2X4X1/8" TUBE
B	2X6X1/8" TUBE
C	2X8X1/8" TUBE
D	2X8X1/4" TUBE
E	4X8X1/4" TUBE

TUBES	FASTENER INFO & PART #	SPACING INFO (HVBS)	SPACING INFO (MULLION)
TUBES A, B & C	#10 - 16 x 1" LG TEK SCREW (# 380430941)	1 1/2" TYP. FROM ENDS, 3" C-C	1 1/2" TYP. FROM ENDS, 6" C-C
TUBE D	1/4 - 20 x 1" LG TEK SCREW (# 380431260)	1 1/2" TYP. FROM ENDS, 3" C-C	1 1/2" TYP. FROM ENDS, 6" C-C
TUBE E	1/4 - 20 x 1 1/2" LG TEK SCREW (# 380430830)	1 1/2" TYP. FROM ENDS, 6" C-C	1 1/2" TYP. FROM ENDS, 6" C-C

REFERENCE IMAGES



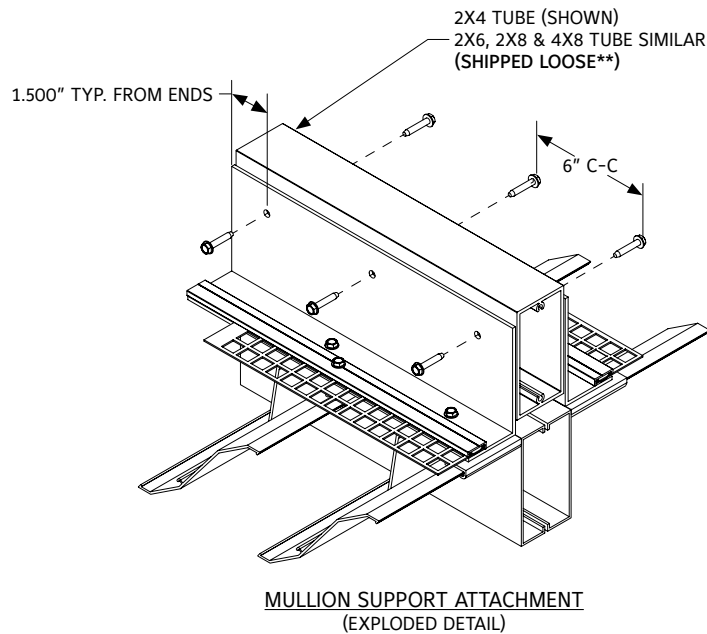
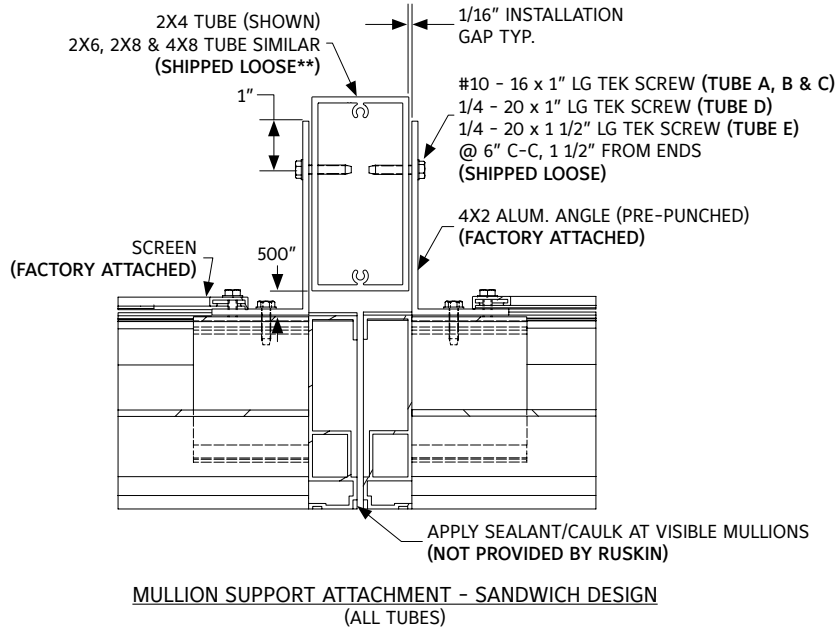
HVBS SUPPORT ATTACHMENT
(2X4, 2X6 & 2X8 TUBES)



HVBS SUPPORT ATTACHMENT - SANDWICH DESIGN
(4X8 TUBE)

Shipped loose**
Depends upon louver size and or applied windload.
(Refer job specific drawings if requested)

REFERENCE IMAGES



Shipped loose**
Depends upon louver size and or applied windload.
(Refer job specific drawings if requested)

LINKS TO IMPORTANT DOCUMENTS

Document Title

Limited Warranty Document



3900 Doctor Greaves Road
Grandview, MO 64030
Website: www.ruskin.com
Phone: (816) 761-7476