

JAMB FRAME SPLICE

Installation Guide



LIST OF MODELS AFFECTED

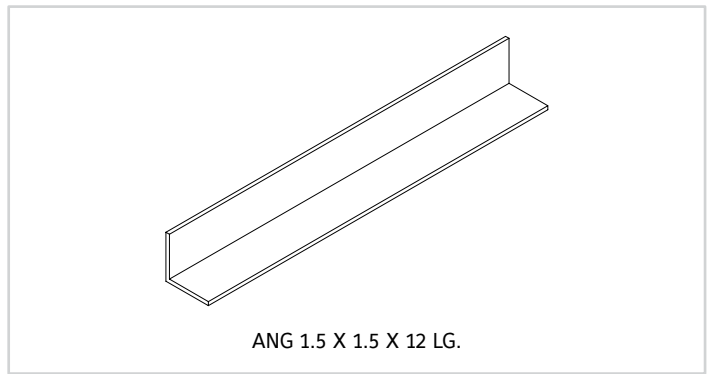
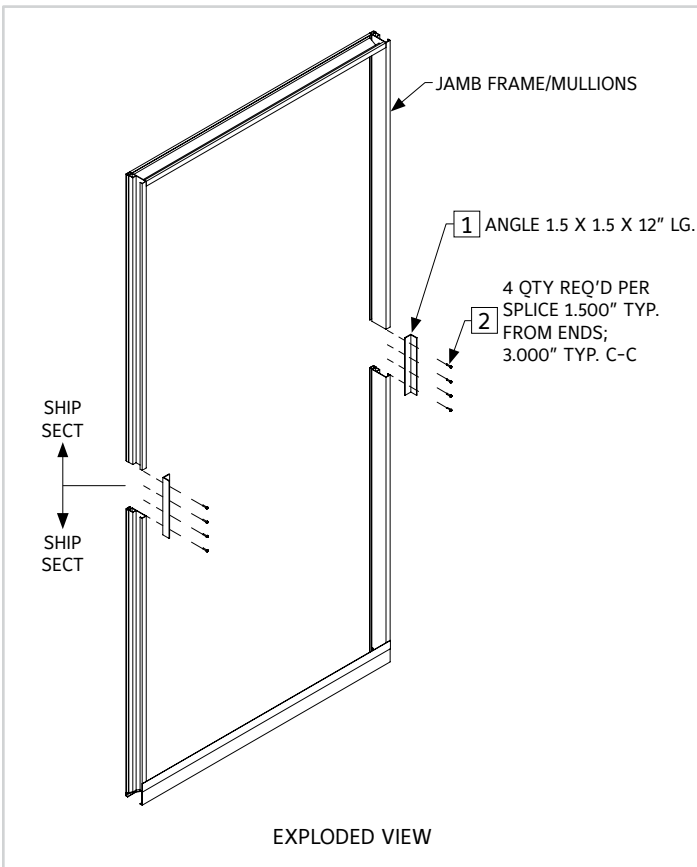
MODELS AFFECTED (TYPE I)		MODELS AFFECTED (TYPE II)	MODELS AFFECTED (TYPE III)
ELF15J	ELF6811DD	ACL445	L24
ELF22V	ELF81S30	ACL645	L26
ELF30V	ELF811DD	ACL845	L330
ELF211	ELF811SH	ACL1245	L375D
ELF211D	ELF837	ACL845AF	L6375D
ELF375DX	EME220DD	ACL1245AF	L530
ELF375DXH	EME3625	ACL1245AFD	L5361
ELF375X	EME3625DFL		L6745
ELF375XH	EME420DD/DDE		L6811
ELF40V	EME520DD/DDE		L6811S
ELF445DX	ELC445D		L745
ELF445DXH	ELC6375DAX		L811
ELF520DD	ELC6375DXW		L811S
ELF6350DMP	ELM90/90H		LM375D
ELF6375DX	ELM811/811H		LM6375D
ELF6375DXH	ELM811D		LM6811
ELF6375XH	ELM6375DX/6DW		LC6375D
ELF6375X	ELM6375X		
ELF6425DD	EAL6811		
ELF6811	EAL6811M		
ELF6811S			

For enquiries, Please contact Louver Sales: louversales@ruskin.com

NOTE:

Installer must remove factory installed screen frame screws (wherever needed) prior to installing splice angles.

REFERENCE IMAGES



ITEM #	DESCRIPTION	QTY.	PART #	MATERIAL
PARTS LIST TABLE - JAMB FRAME SPLICE (SHIP LOOSE) TYPE I				
1	ANGLE 1.5 X 1.5 X .125 X 12 LG.	2	360437300	EXT ALUM 6063-T5 .125" THK
2	SCR 10 X 1.00 HWH TEK	8	380430941	410/ZC
PARTS LIST TABLE - JAMB FRAME SPLICE (SHIP LOOSE) TYPE II				
1	ANGLE 1.5 X 1.5 X .125 X 12 LG.	2	360437300	EXT ALUM 6063-T5 .125" THK
2	SCR 10 X 1.25 HWH TEK	8	380431060	410/ZC
PARTS LIST TABLE - JAMB FRAME SPLICE (SHIP LOOSE) TYPE III				
1	ANGLE 1.5 X 1.5 X 12 LG.	2	360502840	10 GA GALV STEEL
2	SCR 10 X 1.00 HWH TEK	8	380430941	410/ZC

** Square balloons refer ship loose parts

LINKS TO IMPORTANT DOCUMENTS

Document Title

Limited Warranty Document



3900 Doctor Greaves Road
Grandview, MO 64030
Website: www.ruskin.com
Phone: (816) 761-7476