

# VERTICAL EME LOUVERS

## Installation Guide



### LIST OF MODELS AFFECTED

EME3625	EME5625
EME6625	EME520V

For enquiries, Please contact Louver Sales: [louversales@ruskin.com](mailto:louversales@ruskin.com)

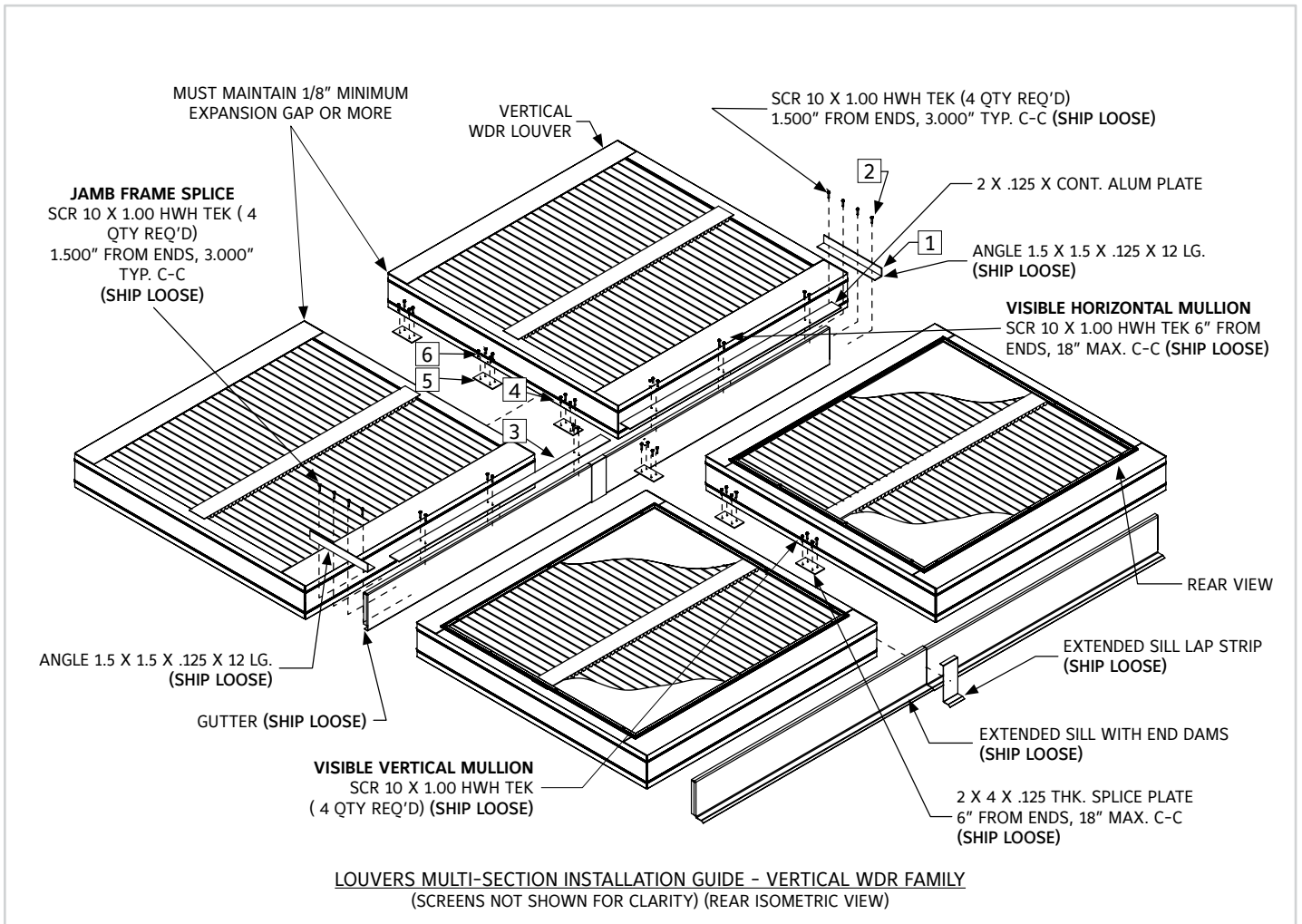
### PRE-ASSEMBLY INSTRUCTIONS:

1. Remove louvers & accessories from shipping containers & inspect for damage. Single section units will be shipped fully assembled. Multi-section units will be shipped in shipping sections to be assembled at the job site. Large multi section units may be packaged in more than one shipping crate.
2. Care must be taken when handling components. Lift louver sections carefully by the supports or frames. Avoid lifting by louver blades. Do not apply excessive force to any point of the section. Lift at multiple points, if necessary to avoid deformation or racking of components.
3. Inspect louvers & components after removal from containers. Verify that all components & fasteners are accounted for. Report any shortages immediately to Ruskin manufacturing.
4. Inspect the openings that the louvers will be installed in. verify that the openings are square & that the unit will fit prior to installation. Check available installation depth for possible HVBS interference. If HVBS must be notched or modified for installation, secure the HVBS to a suitable substrate as close to the modification as possible to maintain structural integrity.
5. Contact your local Ruskin representative if you have questions pertaining to this installation or other field modifications.
6. Ensure that you have received ship loose parts & a box with hardwares.

### ASSEMBLY PROCEDURE:

1. Install extended sill (with end dams) in the opening for vertical eme louvers. Install gutters in between the sections if the louver is single section wide & multi-section high. Install gutters with lap strips if the louver is multi section wide & high. (As shown in exploded detail) make sure to apply sealant at the location where gutters meet prior to installation of louvers.
2. Locate ship loose hardware required for louver multi-section assembly.
3. Position the louver sections faced down on a level, non-abrasive surface in the configuration they will be assembled in. Reference the tag numbers on each section to ensure the sections are in correct order.
4. Refer to appropriate exploded details for splice hardware identification & location. Now fasten the sections together at frames, support splices. (Supports are pre-drilled at plant for ease).
5. If perimeter clips or continuous angles are to be installed, locate & anchor them in the opening. (Reference clip angle installation guide for instructions).
6. Level the louver assembly both horizontally & vertically in the opening using shims. (Shims not provided by Ruskin).
7. Position the louver in the opening so that the desired sealant joint will be maintained around the perimeter of louver.
8. After louver is secured, install backer rod & sealant around louver perimeter. (Sealant not provided by Ruskin).

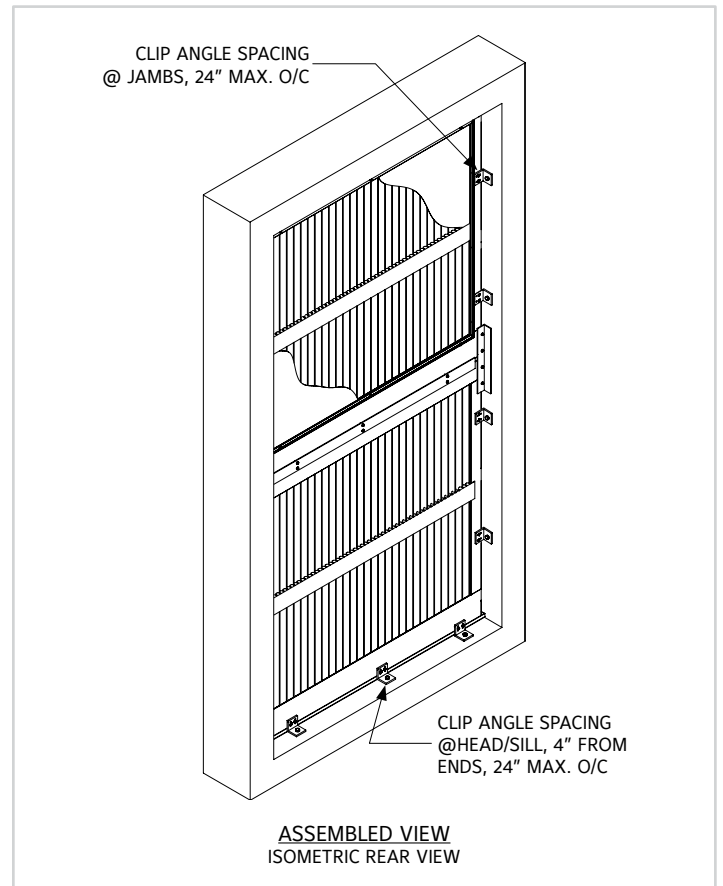
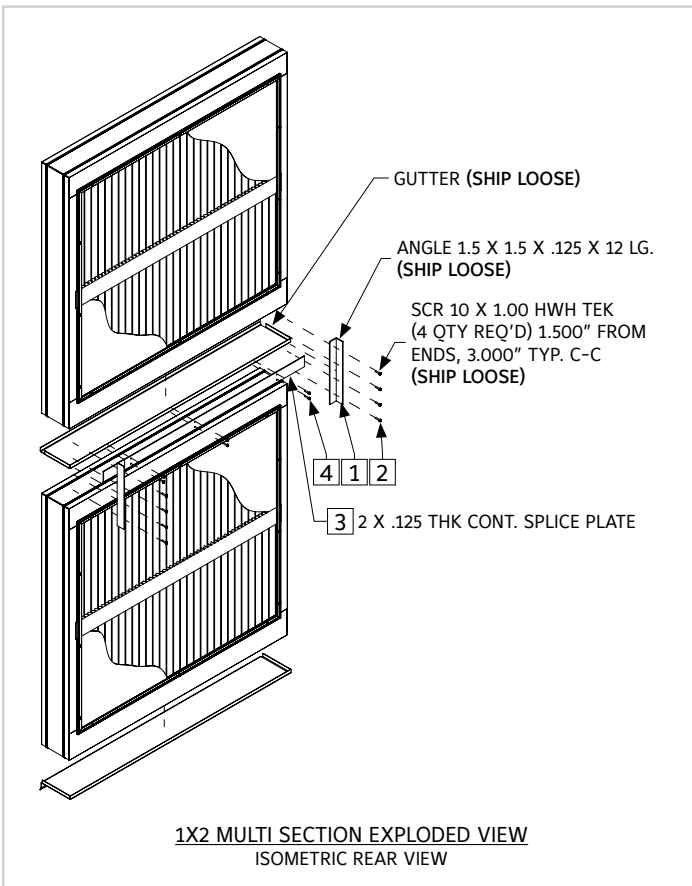
## REFERENCE IMAGES



ITEM #	DESCRIPTION	QTY.	PART #	MATERIAL
<b>PARTS LIST TABLE - JAMB FRAME SPLICE (SHIP LOOSE)</b>				
1	ANGLE 1.5 X 1.5 X .125 X 12 LG.	2	360437300	EXT ALUM 6063-T5 .125" THK
2	SCR 10 X 1.00 HWH TEK	8	380430941	410/ZC
<b>PARTS LIST TABLE - VISIBLE HORZ. MULLION (SHIP LOOSE)</b>				
3	2 X .125 THK CONT. SPLICE PLATE	VARIES	341358M00	EXT ALUM 6063-T6
4	SCR 10 X 1.0 HWH TEK	VARIES	380430941	410/ZC
<b>PARTS LIST TABLE - VISIBLE VERTICAL MULLION (SHIP LOOSE)</b>				
5	2 X 4 X .125 THK SPLICE PLATE	1	360431136	EXT ALUM 6063-T6
6	SCR 10 X 1.0 HWH TEK	4	380430941	410/ZC

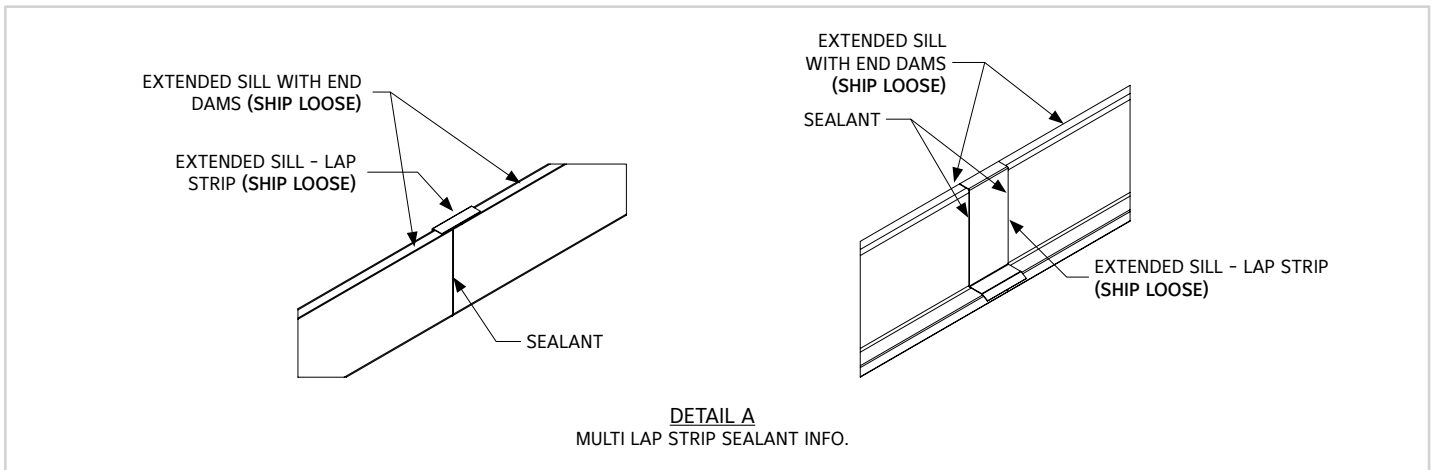
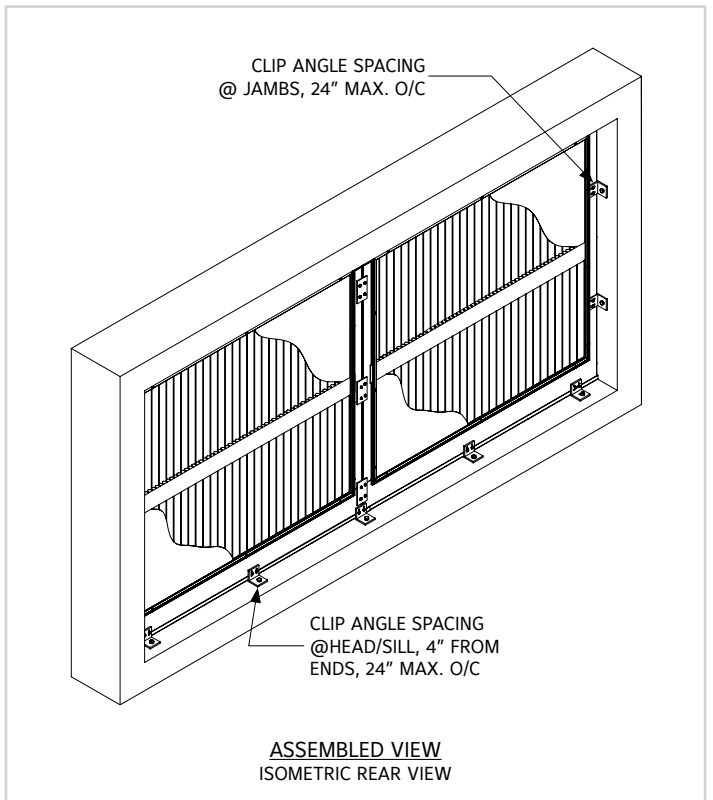
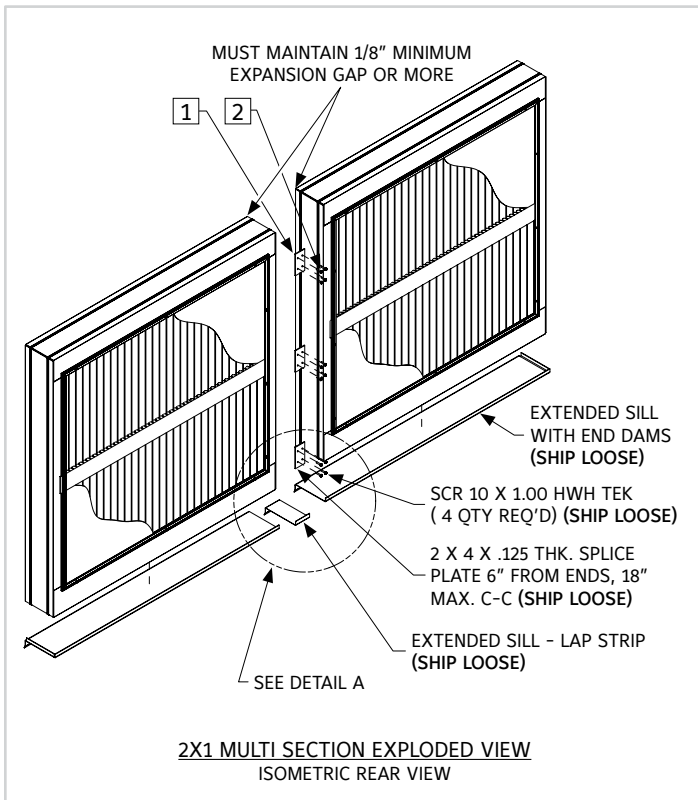
\*\* Square balloons indicates ship loose parts

# 1X2 MULTI SECTION INSTALLATION



ITEM #	DESCRIPTION	QTY.	PART #	MATERIAL
<b>PARTS LIST TABLE - 1X2 MULTI SECTION (SHIP LOOSE)</b>				
1	ANGLE 1.5 X 1.5 X .125 X 12 LG.	2	360437300	EXT ALUM 6063-T5 .125" THK
2	SCR 10 X 1.00 HWH TEK	8	380430941	410/ZC
3	2 X .125 THK CONT. SPLICE PLATE	VARIES	341358M00	EXT ALUM 6063-T6
4	SCR 10 X 1.0 HWH TEK	VARIES	380430941	410/ZC

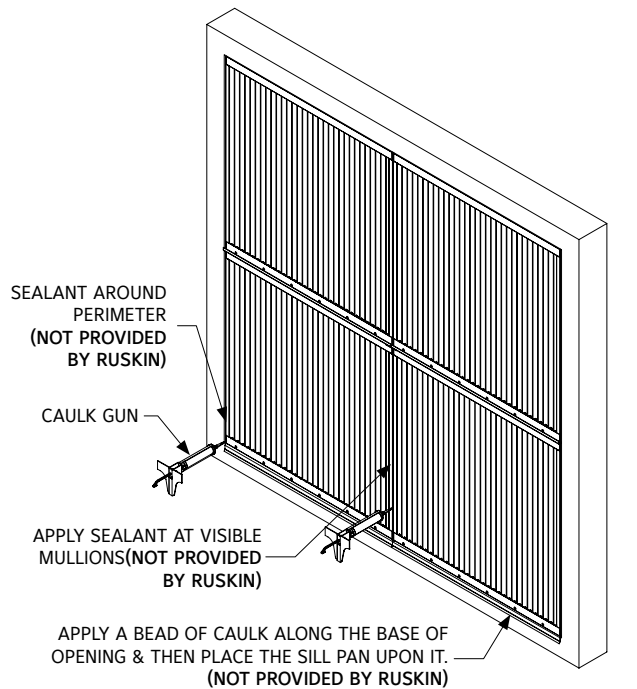
## 2X1 MULTI SECTION INSTALLATION



ITEM #	DESCRIPTION	QTY.	PART #	MATERIAL
<b>PARTS LIST TABLE - 2X1 MULTI SECTION (SHIP LOOSE)</b>				
1	2 X 4 X .125 THK SPLICE PLATE	1	360431136	EXT ALUM 6063-T6
2	SCR 10 X 1.0 HWH TEK	4	380430941	410/ZC

\*\* Attachments varies per louver  
\*\* Square balloons indicates ship loose parts

## MULTI SECTION LOUVER ASSEMBLY



**MULTI SECTION LOUVER ASSEMBLY**  
ISOMETRIC FRONT VIEW (SEALANT / CAULK INFORMATION)

### **i** LINKS TO IMPORTANT DOCUMENTS

Document Title
Limited Warranty Document



3900 Doctor Greaves Road  
Grandview, MO 64030  
Website: [www.ruskin.com](http://www.ruskin.com)  
Phone: (816) 761-7476