

## ELC445D DRAINABLE COMBINATION LOUVER EXTRUDED ALUMINUM

### STANDARD CONSTRUCTION

#### FRAME

4" (102) deep, 6063T5 extruded aluminum with .081" (2.1) nominal wall thickness. Downspouts and caulking surfaces provided.

#### BLADES

Front stationary drainable blades – 6063T5 extruded aluminum with .060" (1.5) nominal wall thickness, positioned at 45° angle and spaced approximately 47/16" (113) center to center.

Rear adjustable blades – 6063T5 extruded aluminum, .125" (3.2) nominal wall thickness for operating section widths through 48" (1219).

#### SCREEN

3/4" x .051" (19 x 1.3) expanded, flattened aluminum bird screen in removable frame. Screen adds approximately 1/2" (13) to louver depth.

#### SEALS

Extruded vinyl blade edge seals on rear adjustable blades and flexible, compressible aluminum jamb seals.

#### LINKAGE

Concealed.

#### BEARINGS

Stainless steel sleeve pressed into frame.

#### AXLES

1/2" (13) plated steel hex.

#### ACTUATOR

Locking louver quadrant.

#### FINISH

Mill.

#### MINIMUM SIZE

12"w x 12"h (305 x 305).

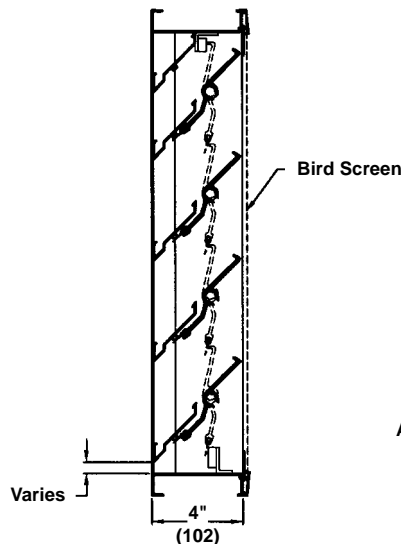
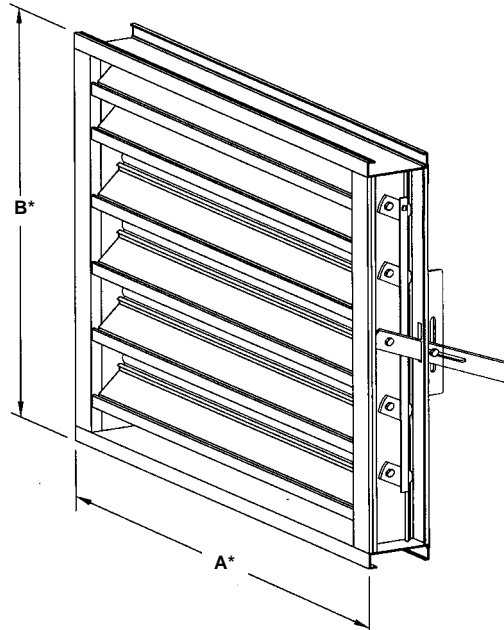
#### APPROXIMATE SHIPPING WEIGHT

6 lbs./ft.<sup>2</sup> (29.3 kg per m<sup>2</sup>).

#### MAXIMUM FACTORY ASSEMBLY SIZE

Shall be 48"w x 96"h (1219 x 2438).

Louvers larger than the maximum factory assembly size will require field assembly of smaller sections.



### FEATURES

The ELC445D offers:

- Published performance ratings based on testing in accordance with AMCA Publication 511.
- High free area, low water penetration, and low pressure drop.
- Concealed blade linkage is protected from weather exposure and reduces required installation depth.
- Adjustable rear blades provide desired shut off in the same 4" (102) deep frame normally required by a louver alone.
- Blade and jamb seals provide tight closure.
- A drain gutter in each front stationary blade and downspouts in jambs and mullions drain water from the louver with minimum water cascade from blade to blade.

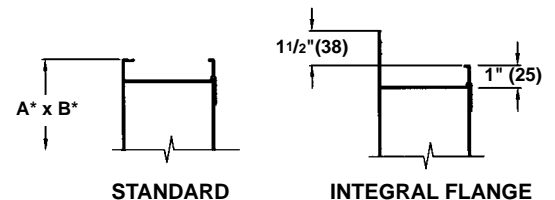
### VARIATIONS

Variations to the basic design of the louver are available at additional cost. They include:

- Extended sill.
- Electric or pneumatic actuators.
- Front or rear security bars.
- Filter racks.
- A variety of bird and insect screens.
- Selection of finishes: prime coat, baked enamel (modified fluoropolymer), epoxy, Acrodize, Kynar, clear and color anodize. (Some variation in anodize color consistency is possible).

Consult Ruskin for other special requirements.

### FRAME CONSTRUCTION



Dimensions in inches, parenthesis ( ) indicate millimeters.

\*Units furnished 1/4" (6) smaller than given opening dimensions.

TAG	QTY.	SIZE		FRAME	VARIATIONS
		A*-WIDE	B*-HIGH		
PROJECT ARCH./ENGR. REPRESENTATIVE			LOCATION CONTRACTOR DATE		

# PERFORMANCE DATA

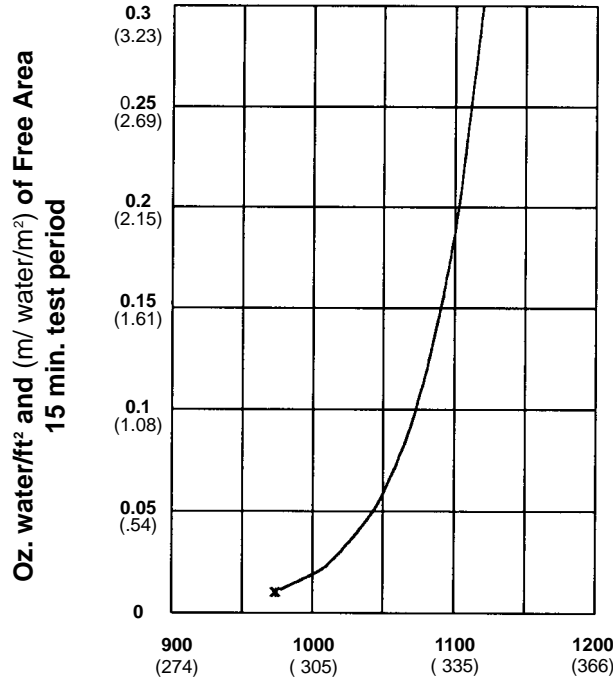
AMCA Standard 500 provides a reasonable basis for testing and rating louvers. Testing to AMCA 500 is performed under a certain set of laboratory conditions. This does not guarantee that other conditions will not occur in the actual environment where louvers must operate.

The louver system should be designed with a reasonable safety factor for louver performance. To ensure protection from water carry-over, design with a performance level somewhat below maximum desired pressure drop and .01 oz./sq. ft. of water penetration.

## WATER PENETRATION

Test size 48" wide x 48" high (1219 x 1219)

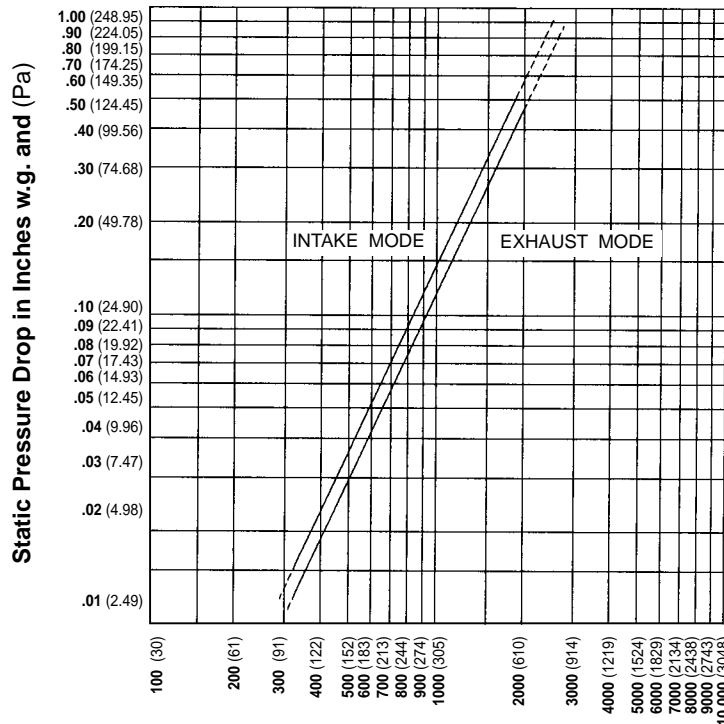
Beginning point of water penetration at .01 oz./sq. ft. is 974 fpm (297 m/min).



Ruskin Manufacturing Company certifies that the ELC445D louvers shown herein are licensed to bear the AMCA Seal. The ratings shown are based on tests and procedures performed in accordance with AMCA Publication 511 and comply with the requirements of the AMCA Certified Ratings Program. The AMCA Certified Ratings Seal applies to air performance ratings and water penetration ratings only.

Free Area Velocity in feet and (meters) per minute  
Standard air .075 lb/ft³

## PRESSURE DROP



Ratings do not include the effect of a bird screen.

Air Velocity in feet and (meters) per minute through Free Area

## FREE AREA GUIDE

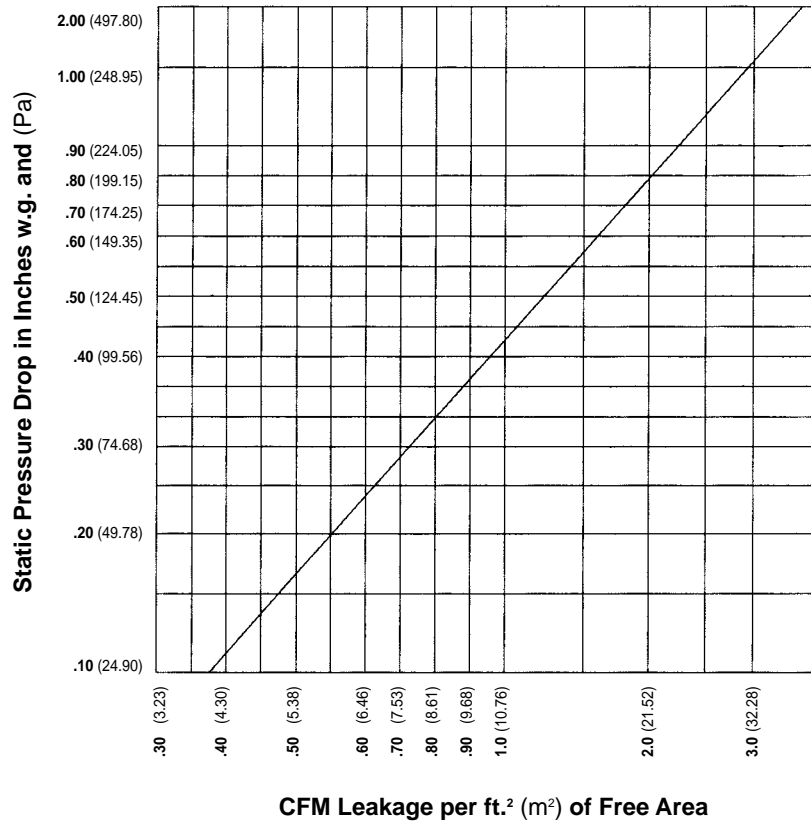
Free Area Guide shows free area in ft<sup>2</sup> and m<sup>2</sup> for various sizes of ELC445D.

Width – Inches and Meters

	12	18	24	30	36	42	48
	0.30	0.46	0.61	0.76	0.91	1.07	1.22
<b>12</b> 0.30	<b>0.11</b> 0.01	<b>0.18</b> 0.02	<b>0.24</b> 0.02	<b>0.31</b> 0.03	<b>0.38</b> 0.04	<b>0.45</b> 0.04	<b>0.51</b> 0.05
<b>18</b> 0.46	<b>0.40</b> 0.04	<b>0.64</b> 0.06	<b>0.89</b> 0.08	<b>1.13</b> 0.11	<b>1.38</b> 0.13	<b>1.63</b> 0.15	<b>1.87</b> 0.17
<b>24</b> 0.61	<b>0.54</b> 0.05	<b>0.87</b> 0.08	<b>1.21</b> 0.11	<b>1.55</b> 0.14	<b>1.88</b> 0.17	<b>2.22</b> 0.21	<b>2.55</b> 0.24
<b>30</b> 0.76	<b>0.75</b> 0.07	<b>1.22</b> 0.11	<b>1.69</b> 0.16	<b>2.15</b> 0.20	<b>2.62</b> 0.24	<b>3.09</b> 0.29	<b>3.56</b> 0.33
<b>36</b> 0.91	<b>0.97</b> 0.09	<b>1.57</b> 0.15	<b>2.18</b> .020	<b>2.78</b> 0.26	<b>3.39</b> 0.32	<b>3.99</b> 0.37	<b>4.59</b> 0.43
<b>42</b> 1.07	<b>1.11</b> 0.10	<b>1.81</b> 0.17	<b>2.50</b> 0.23	<b>3.19</b> 0.30	<b>3.89</b> 0.36	<b>4.58</b> 0.43	<b>5.27</b> 0.49
<b>48</b> 1.22	<b>1.32</b> 0.12	<b>2.15</b> 0.20	<b>2.98</b> 0.28	<b>3.80</b> 0.35	<b>4.63</b> 0.43	<b>5.45</b> 0.51	<b>6.28</b> 0.58
<b>54</b> 1.37	<b>1.54</b> 0.14	<b>2.50</b> 0.23	<b>3.47</b> 0.32	<b>4.43</b> 0.41	<b>5.39</b> 0.50	<b>6.35</b> 0.59	<b>7.31</b> 0.68
<b>60</b> 1.52	<b>1.69</b> 0.16	<b>2.74</b> 0.25	<b>3.79</b> 0.35	<b>4.84</b> 0.45	<b>5.89</b> 0.55	<b>6.94</b> 0.64	<b>7.99</b> 0.74
<b>66</b> 1.68	<b>1.90</b> 0.18	<b>3.08</b> 0.29	<b>4.26</b> 0.40	<b>5.45</b> 0.51	<b>6.63</b> 0.62	<b>7.81</b> 0.73	<b>9.00</b> 0.84
<b>72</b> 1.83	<b>2.12</b> 0.20	<b>3.44</b> 0.32	<b>4.76</b> 0.44	<b>6.07</b> 0.56	<b>7.39</b> 0.69	<b>8.71</b> 0.81	<b>10.03</b> 0.93
<b>78</b> 1.98	<b>2.26</b> 0.21	<b>3.67</b> 0.34	<b>5.08</b> 0.47	<b>6.49</b> 0.60	<b>7.90</b> 0.73	<b>9.30</b> 0.86	<b>10.71</b> 1.00
<b>84</b> 2.13	<b>2.55</b> 0.24	<b>4.13</b> 0.38	<b>5.72</b> 0.53	<b>7.31</b> 0.68	<b>8.90</b> 0.83	<b>10.48</b> 0.97	<b>12.07</b> 1.12
<b>90</b> 2.29	<b>2.69</b> 0.25	<b>4.37</b> 0.41	<b>6.04</b> 0.56	<b>7.72</b> 0.72	<b>9.40</b> 0.87	<b>11.08</b> 1.03	<b>12.75</b> 1.18
<b>96</b> 2.44	<b>2.83</b> 0.26	<b>4.60</b> 0.43	<b>6.37</b> 0.59	<b>8.13</b> 0.76	<b>9.90</b> 0.92	<b>11.67</b> 1.08	<b>13.43</b> 1.25

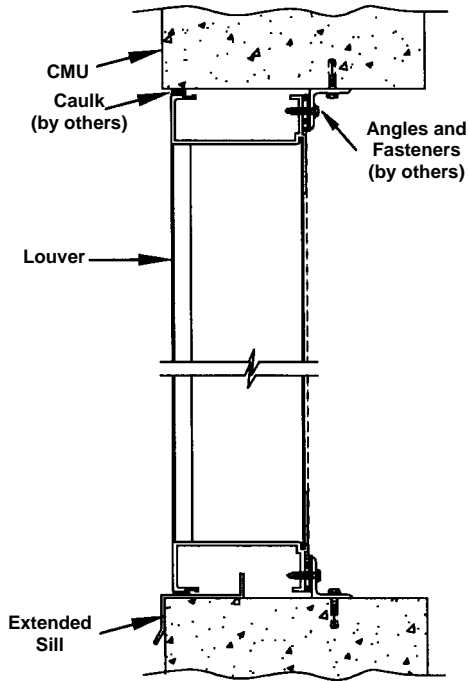
Height – Inches and Meters

## AIR LEAKAGE

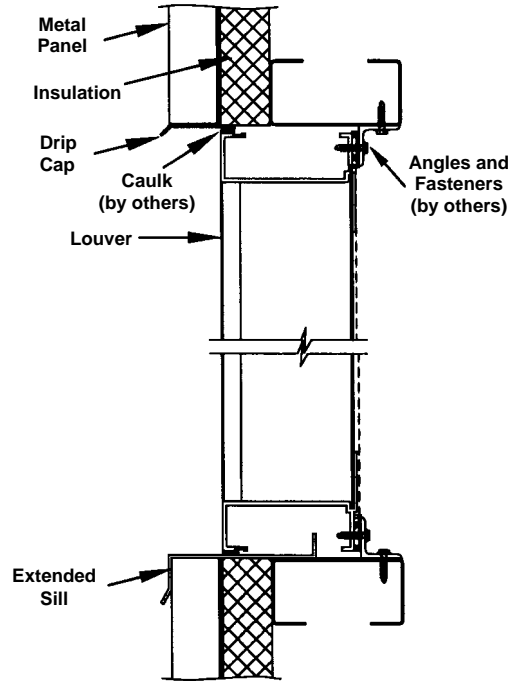


# TYPICAL INSTALLATION DETAILS

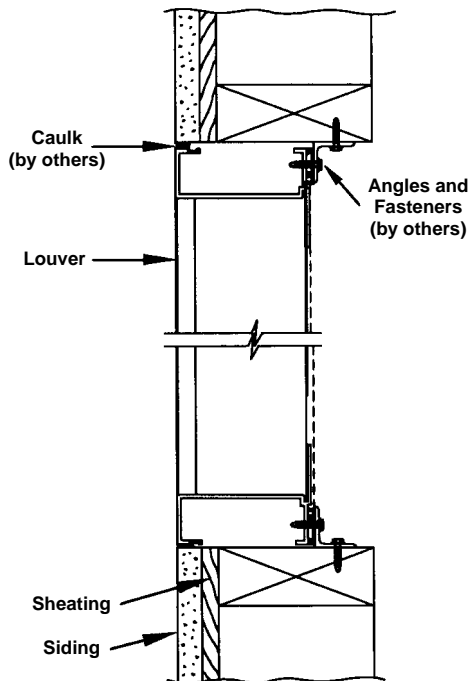
## Masonry Wall



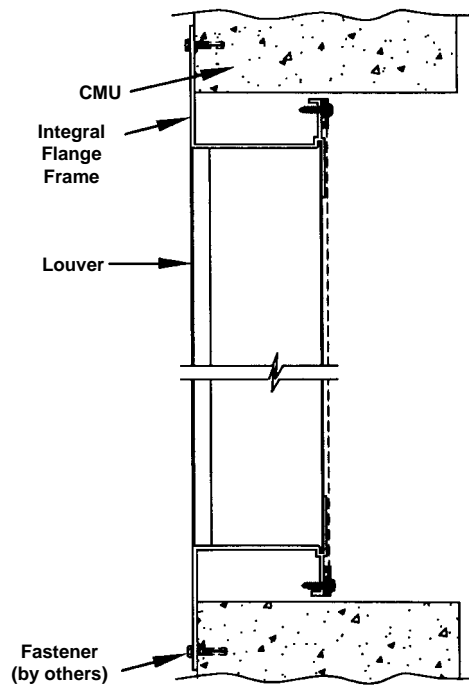
## Metal Panel Wall



## Wood Installation



## Flange Mount



Accessories at additional cost.

# RUSKIN®

3900 Dr. Greaves Rd.  
 Kansas City, MO 64030  
 (816) 761-7476  
 FAX (816) 765-8955