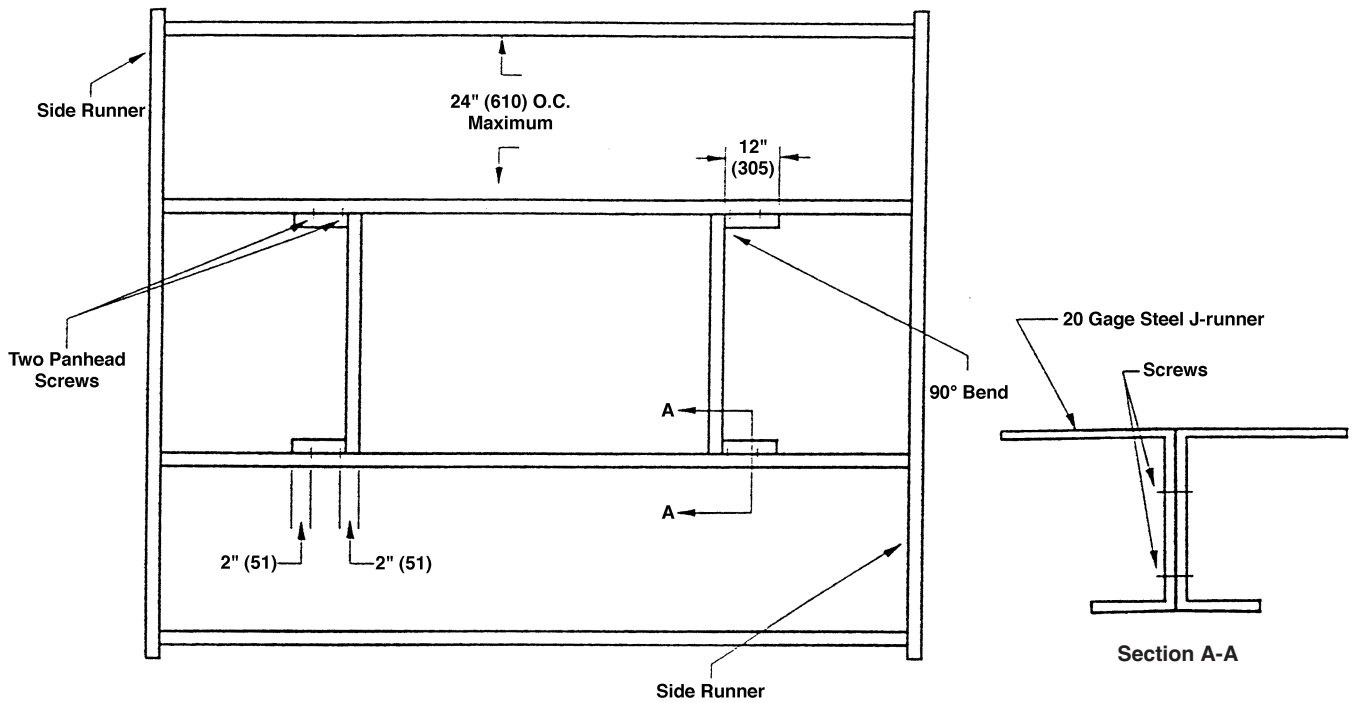


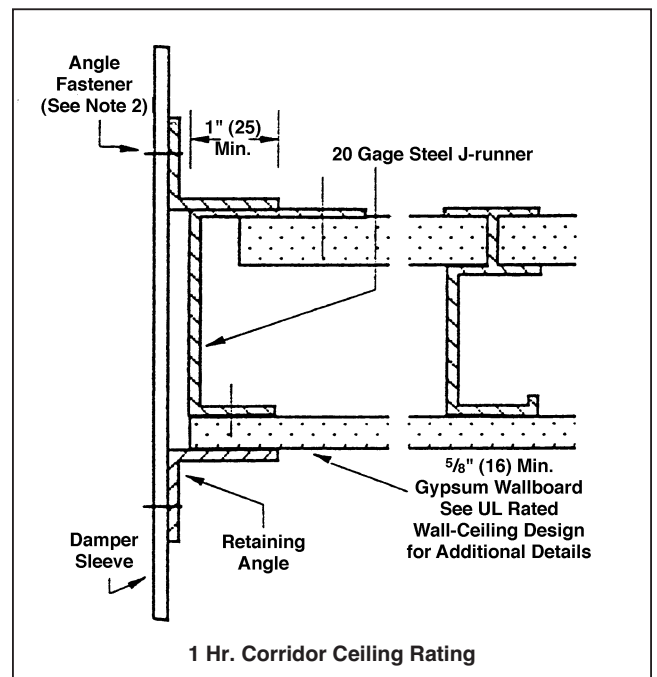
METAL STUD FRAMING FOR COMBINATION FIRE AND SMOKE DAMPERS IN TUNNEL CORRIDOR SHAFT-WALL CEILINGS INSTALLATION INSTRUCTIONS SUPPLEMENT



Opening Preparation Detail - Top View

NOTES

1. Gypsum panels must be attached, 12" (305) O.C. maximum, to all stud and runner flanges surrounding opening with 1⁵/₈" (41) drywall screws.
2. Mounting angles shall be Ruskin PFMA or a minimum of 1¹/₂" x 1¹/₂" x 20 ga. (38 x 38 x .9) conventional mounting angle. The angles should be attached to the sleeve, not the partition, with No. 10 (M5) bolts or screws, 3/₁₆" (5) minimum diameter steel rivets or 1/2" (13) long tack welds. A minimum of two connections per side, top and bottom. Mounting angles shall overlap the wall a minimum of 1" (25).
3. See standard installation instructions sheet for additional details.



1 Hr. Corridor Ceiling Rating



SEE COMPLETE MARKING
ON PRODUCT

RUSKIN®

3900 Dr. Greaves Rd.
Kansas City, MO 64030
(816) 761-7476
FAX (816) 765-8955
www.ruskin.com