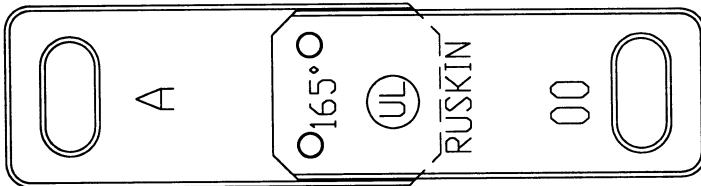


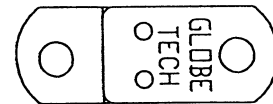
FUSE LINK ACCESSORIES FOR IBD, CFD, FD, AND FSD MODELS

FUSE LINK
Specify 165°F, 212°F, or 285°F
(74°C, 100°C or 141°C)

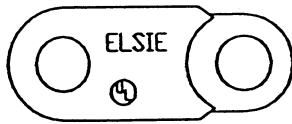
Issue A Link
All (D)IBD Curtain Type Fire Dampers
Excluding IBDT Series



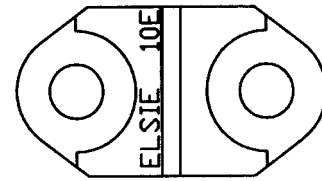
J Link
All CFD Ceiling Fire Dampers
All PFL's (Pneumatic Fuse Links)



Issue B Link
For IBDT Curtain Type Fire Dampers
For FDR25 Round Fire Dampers
Also may be used as a replacement
on CFD Ceiling Fire Dampers



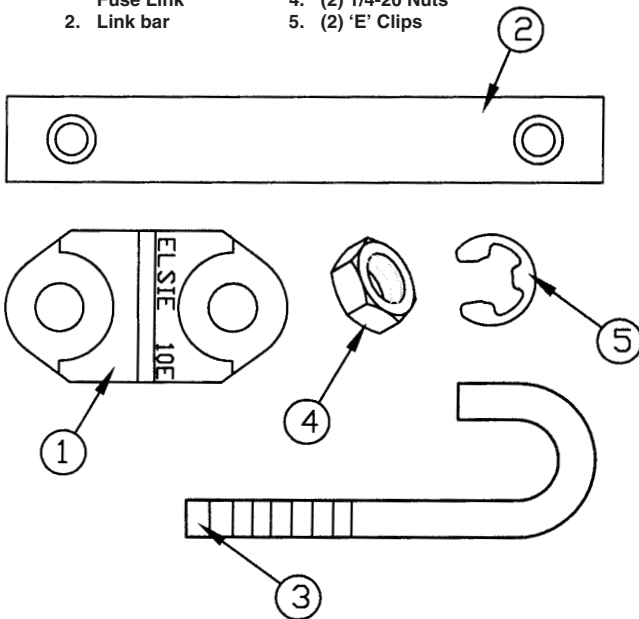
Issue E Link
FD35 and FD36
Multiple Blade Fire Dampers



FUSE LINK
Specify 165°F, 212°F, or 285°F
(74°C, 100°C or 141°C)

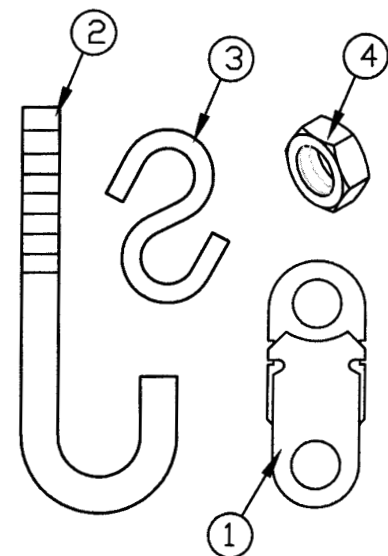
FD Fuse Link Assembly

- | | |
|------------------------|---------------------|
| 1. Issue 'E' Fuse Link | 3. (2) 'S' Hooks |
| 2. Link bar | 4. (2) 1/4-20 Clips |
| | 5. (2) 'E' Clips |

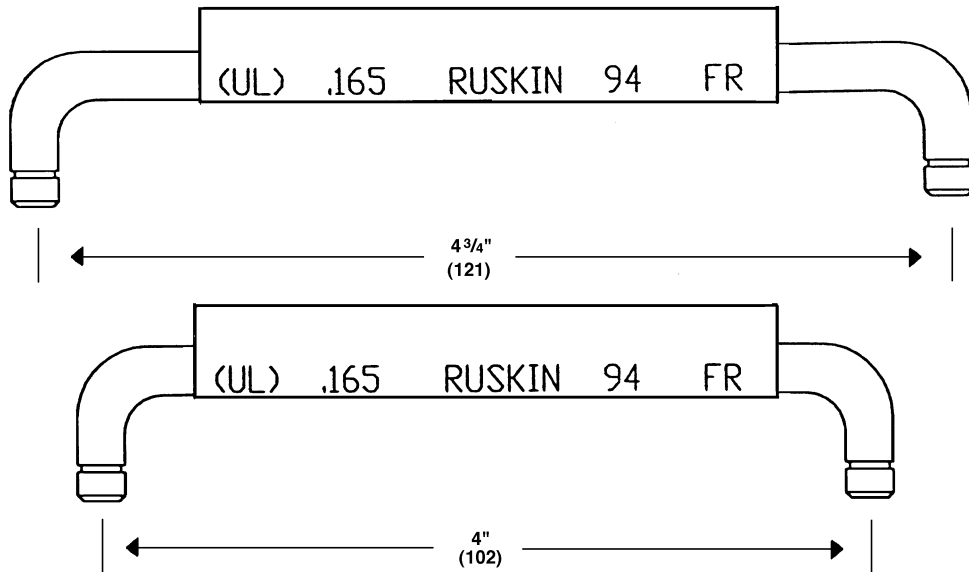


FDR Fuse Link Assembly

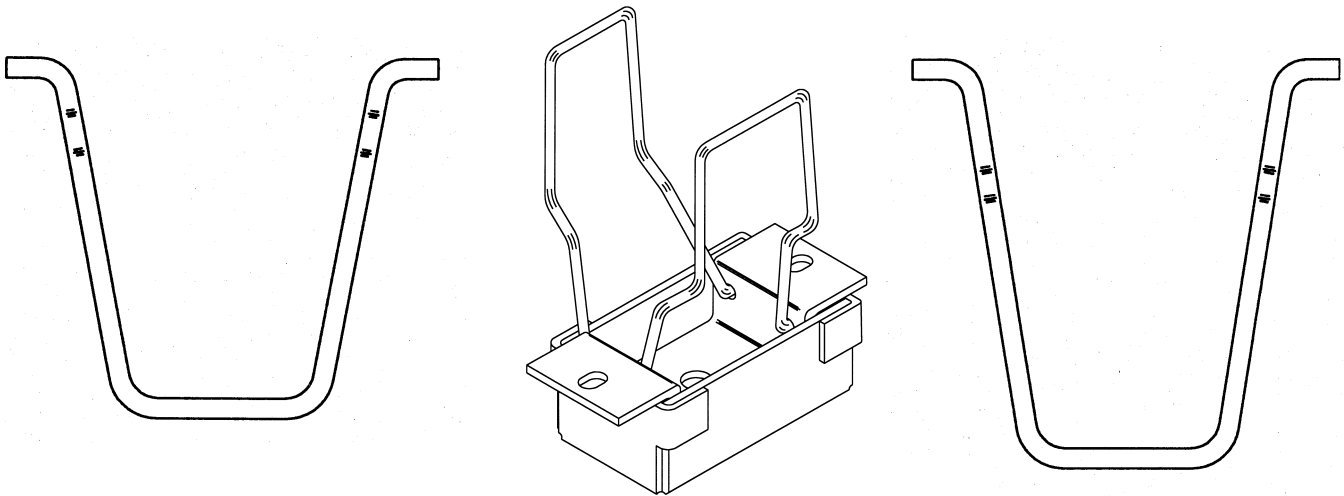
- | | |
|------------------------|--------------------|
| 1. Issue 'B' Fuse Link | 3. (2) 'S' Hooks |
| 2. 'J' Bolt | 4. (2) 1/4-20 Nuts |



4935 FUSIBLE ROD (NO LONGER USED)
Specify 165°F or 212°F (74°C or 100°C)
for all FSD Series Combination Fire Smoke Damper models
(excluding FSDR25) manufactured prior to 1996
Refer to EFL or PFL spec sheets for dampers manufactured after 1996.



VOLUME ADJUST
Specify 165°F or 212°F (74°C or 100°C)
option for all Ceiling Fire Dampers (CFD's)



Lift arms are shown actual size.

RUSKIN[®]

3900 Dr. Greaves Rd.
Kansas City, MO 64030
(816) 761-7476
FAX (816) 765-8955
www.ruskin.com

Printed on recycled paper
using vegetable based inks

