

ELF375DXD

Drainable Stationary Louver

Miami Dade Approved, Florida Notice of Acceptance Number: 24-0403.02
Florida Product Approval #FL21829.7

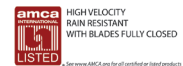
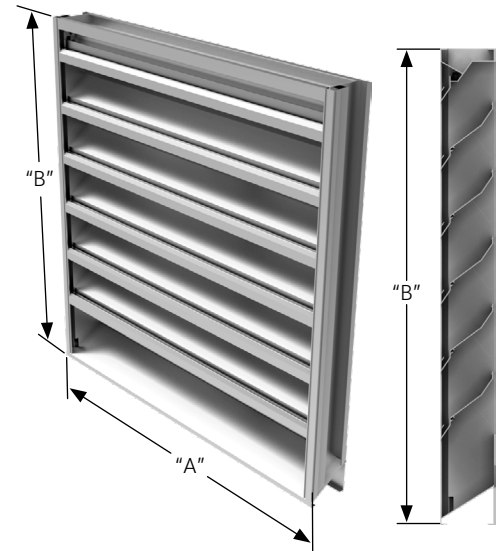


APPLICATION

The ELF375DXD is a 4" deep Miami Dade and Florida Product approved, extruded aluminum louver. This louver offers exceptional protection against hurricane prone regions and severe conditions. It's designed with a drainable gutter system channeling water from the blades to downspouts in the jambs, where water is exhausted out of the front of the louver.

STANDARD CONSTRUCTION

Frame	4" (102) deep, 6063T6 extruded aluminum with .081" (2.1) nominal wall thickness. Downspouts and caulking slots provided.
Blades	6063T6 extruded aluminum, .081" (2.1) nominal wall thickness. Drainable blades are positioned at 37 1/2° angle and spaced approximately 5 3/32" (129) center to center.
Screen	5/8" x .040" (16 x 1) expanded, flattened aluminum bird screen in removable frame. Screen adds approximately 1/2" (13) to louver depth.
Finish	Mill
Approximate Shipping Weight	6 lbs./ft. ² (29.3 kg/m ²)
Minimum Size	12"w x 12"h (305 x 305)
Maximum Size	90" x 120" (2286 x 3048) ship section size, unlimited width x 120"h (3048) field assembly. Louvers larger than the maximum factory assembly size will require field assembly of smaller sections.
Installation	The ELF375DXD must be installed per the appropriate installation detail. Reference the appropriate separate installation instruction sheets.
Blade Supports	Factory installed on louvers over 30" (762) wide. Support depth is 3" (76) on louvers 60" (1524) tall and under. Support depth is 6" (152) on louvers over 60" (1524) tall.



VARIATIONS

Variations to the basic design of these louvers are available at additional cost. They include:

- ▶ Extended sill
- ▶ Front or rear security bars
- ▶ Filter racks
- ▶ Universal Sleeve
- ▶ Blank Off Panels
- ▶ Integral Flange
- ▶ A variety of bird and insect screens
- ▶ Optional finishes available at additional cost. Please see [Paint Finishes and Color Guide](#) and [Finish Type Model Chart](#) for more details. Contact louversales@ruskin.com with questions

Consult Ruskin for other special requirements.

Please reference our website www.ruskin.com for up to date LEED® information.

FEATURES

- ▶ Approved for use in open structures with provisions to manage weather infiltration (wet rooms)
- ▶ Maximum windload ±130 PSF (6.22 kPa)
- ▶ High performance frame system with drainable head collects and removes water to provide excellent water penetration performance
- ▶ Drain gutter in each blade minimizes water cascade between blades
- ▶ 49% Free Area
- ▶ Published performance ratings based on testing in accordance with AMCA Publication 511 & 512
- ▶ Aluminum construction for low maintenance and high resistance to corrosion
- ▶ All welded construction
- ▶ Miami Dade NOA #24-0403.02
- ▶ 2023 Florida Product Approval FL#21829.7
- ▶ AMCA 550 High Velocity Wind Driven Rain Resistant with Damper

NOTE: Dimensions in inches, parenthesis () indicate millimeters.

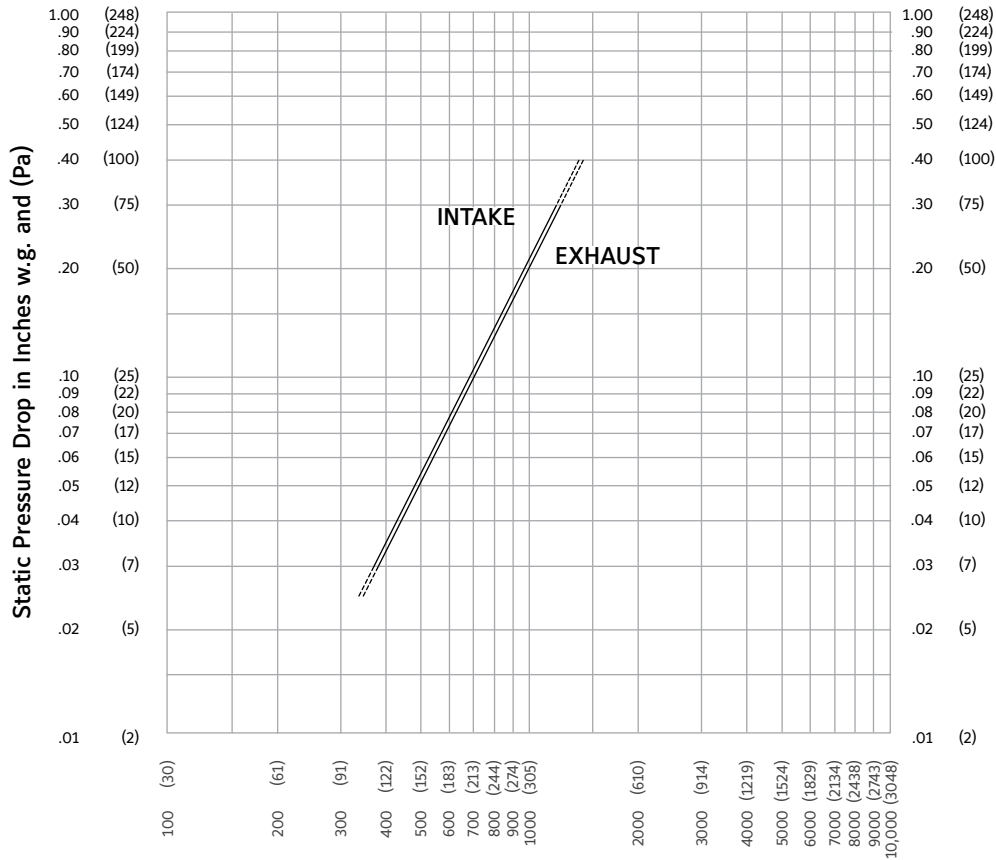
FREE AREA GUIDE

Free Area Guide shows free area in ft² and m² for various sizes of ELF375DXD.

Width – Inches and Meters

	12	18	24	30	36	42	48	54	60	66	72	78	80	86	90
	0.3	0.46	0.61	0.76	0.91	1.07	1.22	1.37	1.52	1.68	1.83	1.98	2.03	2.18	2.30
12	0.16	0.36	0.57	0.78	0.99	1.2	1.41	1.62	1.82	2.03	2.24	2.45	2.52	2.73	2.90
0.3	0.01	0.03	0.05	0.04	0.09	0.11	0.13	0.15	0.17	0.19	0.21	0.23	0.23	0.25	0.26
18	0.28	0.65	1.02	1.39	1.76	2.13	2.5	2.87	3.24	3.62	3.99	4.36	4.48	4.85	5.15
0.46	0.03	0.06	0.09	0.13	0.16	0.2	0.23	0.27	0.3	0.34	0.37	0.41	0.42	0.46	0.48
24	0.4	0.93	1.47	2	2.53	3.07	3.6	4.13	4.67	5.2	5.73	5.6	5.78	5.98	6.14
0.61	0.04	0.09	0.14	0.19	0.24	0.29	0.33	0.38	0.43	0.48	0.53	0.52	0.54	0.56	0.58
30	0.52	1.22	1.91	2.61	3.3	4	4.7	5.39	6.09	6.78	7.48	7.3	7.54	7.80	8.01
0.76	0.05	0.11	0.18	0.24	0.31	0.37	0.44	0.5	0.57	0.63	0.7	0.68	0.70	0.73	0.74
36	0.62	1.44	2.27	3.09	3.92	4.74	5.57	6.4	7.22	8.05	8.87	9.7	9.97	10.80	11.45
0.91	0.06	0.13	0.21	0.29	0.36	0.44	0.52	0.59	0.67	0.75	0.83	0.9	0.93	1.01	1.07
42	0.74	1.73	2.72	3.7	4.69	5.68	6.67	7.65	8.64	9.63	10.62	11.6	11.93	12.92	13.70
1.07	0.07	0.16	0.25	0.34	0.44	0.53	0.62	0.71	0.8	0.9	0.99	1.08	1.11	1.20	1.27
48	0.86	2.01	3.16	4.31	5.46	6.61	7.76	8.91	10.06	11.21	12.36	13.51	13.90	15.05	15.97
1.22	0.08	0.19	0.29	0.4	0.51	0.61	0.72	0.83	0.94	1.04	1.15	1.26	1.29	1.40	1.49
54	0.98	2.3	3.61	4.92	6.23	7.55	8.86	10.17	11.48	12.8	14.11	15.42	15.86	17.17	18.22
1.37	0.09	0.21	0.34	0.46	0.58	0.7	0.82	0.95	1.07	1.19	1.31	1.43	1.47	1.59	1.69
60	1.11	2.58	4.06	5.53	7.01	8.48	9.95	11.43	12.9	14.38	15.85	17.33	17.82	19.30	20.48
1.52	0.1	0.24	0.38	0.51	0.65	0.79	0.93	1.06	1.2	1.34	1.47	1.61	1.66	1.80	1.91
66	1.2	2.81	4.41	6.02	7.62	9.23	10.83	12.43	14.04	15.64	17.25	18.85	19.39	21.00	22.28
1.68	0.11	0.26	0.41	0.56	0.71	0.86	1.01	1.16	1.31	1.45	1.6	1.75	1.80	1.95	2.07
72	1.33	3.09	4.86	6.36	8.39	10.16	11.93	13.69	15.46	17.23	18.99	20.76	21.36	23.12	24.53
1.83	0.12	0.29	0.45	0.62	0.78	0.94	1.11	1.27	1.44	1.6	1.77	1.93	1.99	2.16	2.29
78	1.45	3.38	5.31	7.23	9.16	11.09	13.02	14.95	16.88	18.81	20.74	22.67	23.31	25.24	26.78
1.98	0.13	0.31	0.49	0.67	0.85	1.03	1.21	1.39	1.57	1.75	1.93	2.11	2.17	2.35	2.49
84	1.57	3.66	5.75	7.84	9.94	12.03	14.12	16.21	18.3	20.39	22.49	24.58	25.27	27.37	29.04
2.13	0.15	0.34	0.53	0.73	0.92	1.12	1.31	1.51	1.7	1.9	2.09	2.29	2.35	2.55	2.70
90	1.69	3.94	6.2	8.45	10.71	12.96	15.21	17.47	19.72	21.98	24.23	26.49	27.24	29.50	31.30
2.29	0.16	0.37	0.58	0.79	1.00	1.21	1.41	1.62	1.83	2.04	2.25	2.46	2.53	2.74	2.91
96	1.81	4.23	6.65	9.06	11.48	13.89	16.31	18.73	21.14	23.56	25.98	28.39	29.20	31.62	33.55
2.44	0.17	0.39	0.62	0.84	1.07	1.29	1.52	1.74	1.97	2.19	2.42	2.64	2.72	2.95	3.13
102	1.91	4.46	7	9.55	12	14.64	17.19	19.73	22.28	24.82	27.37	29.92	30.76	33.31	35.35
2.59	0.18	0.41	0.65	0.89	1.12	1.36	1.6	1.84	2.07	2.31	2.55	2.78	2.86	3.10	3.28
108	2.03	4.74	7.45	10.16	12.87	15.57	18.28	20.99	23.7	26.41	29.12	31.82	32.73	34.83	36.64
2.74	0.19	0.44	0.69	0.94	1.2	1.45	1.7	1.95	2.2	2.46	2.71	2.96	3.04	3.23	3.40
114	2.15	5.02	7.89	10.77	13.64	16.51	19.38	22.25	25.12	27.99	30.86	33.73	34.69	36.92	38.84
2.9	0.2	0.47	0.73	1	1.27	1.54	1.8	2.07	2.34	2.6	2.87	3.14	3.23	3.44	3.62
120	2.27	5.31	8.34	11.37	14.41	17.44	20.47	23.51	26.54	29.57	32.61	35.64	36.65	39.01	41.03
3.05	0.21	0.49	0.78	1.06	1.34	1.62	1.9	2.19	2.47	2.75	3.03	3.31	3.41	3.63	3.82

PRESSURE DROP

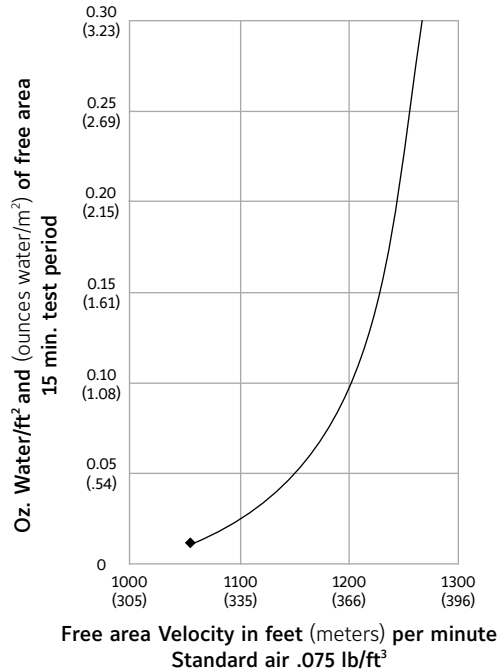


Ratings do not include the effect of a bird screen.

Air Velocity in feet and (meters) per minute through Free Area
 (Data corrected to standard air density and AMCA figure or figures testes to 5.5)

WATER PENETRATION GRAPH

Water penetration
 Test size 48" wide X 48" high (1219 X 1219)
 Beginning point of water penetration at .01 oz. /sq. ft. is 1055 fpm
 (322 m/min).



Ratings do not include the effect of a bird screen.

Ruskin Company certifies that the ELF375DXD louvers shown herein are licensed to bear the AMCA Seal. The ratings shown are based on tests and procedures performed in accordance with AMCA Publication 511 and comply with the requirements of the AMCA Certified Ratings Program. The AMCA Certified Ratings Seal applies to air performance ratings and water penetration ratings only.



HIGH VELOCITY
 RAIN RESISTANT
 WITH BLADES FULLY CLOSED

See www.AMCA.org for all certified or listed products

This label does not signify
 AMCA airflow performance
 certification.

Ruskin certifies that the ELF375DXD shown herein is approved to bear the AMCA listing Label. The ratings shown are based on tests and procedures performed in accordance with AMCA publications and comply with the required of the AMCA listing label program.

The AMCA Listing Label applied to Wind Borne Debris Impact Resistant and High Velocity Wind Driven Rain Resistant Louvers (with optional CD40, CD50 or SD60 damper in the closed position)

AMCA550 DAMPER OPTIONS

CONTROL DAMPER

CD40 (Thin Line Control Damper)

(The CD40 combines the lowest leakage attainable—6cfm/sq.ft. at 4" w.g. with thin line, 4" overall depth when the damper is completely open.)

- ▶ Damper Frame and Blade Depth 4"
- ▶ Max Single Section 60"x 72"
- ▶ Opposed Blade
- ▶ Mill Finish
- ▶ Factory-Installed, pneumatic and electric actuators
- ▶ SP100 Switch Package
- ▶ Jack shafted or Extended Shaft option
- ▶ Concealed Linkage

CD50

(The CD50 is a low Leak, extruded aluminum damper designed with air foil blades for higher velocities and pressure HVAC systems. It meets the leakage requirements of the International energy Conservation Code by leaking less than 3cfm.sq.ft. at 1" of static pressure and is AMCA licensed as a Class 1A damper)

- ▶ Air Leakage AMCA Class 1A
- ▶ Damper Frame Depth is 5" and Blade width is 6"
- ▶ Max Single Section 60"x 72"
- ▶ Opposed Blade
- ▶ Mill Finish
- ▶ Factory-Installed, pneumatic and electric actuators
- ▶ SP100 Switch Package
- ▶ Jack shafted or Extended Shaft option
- ▶ Concealed Linkage

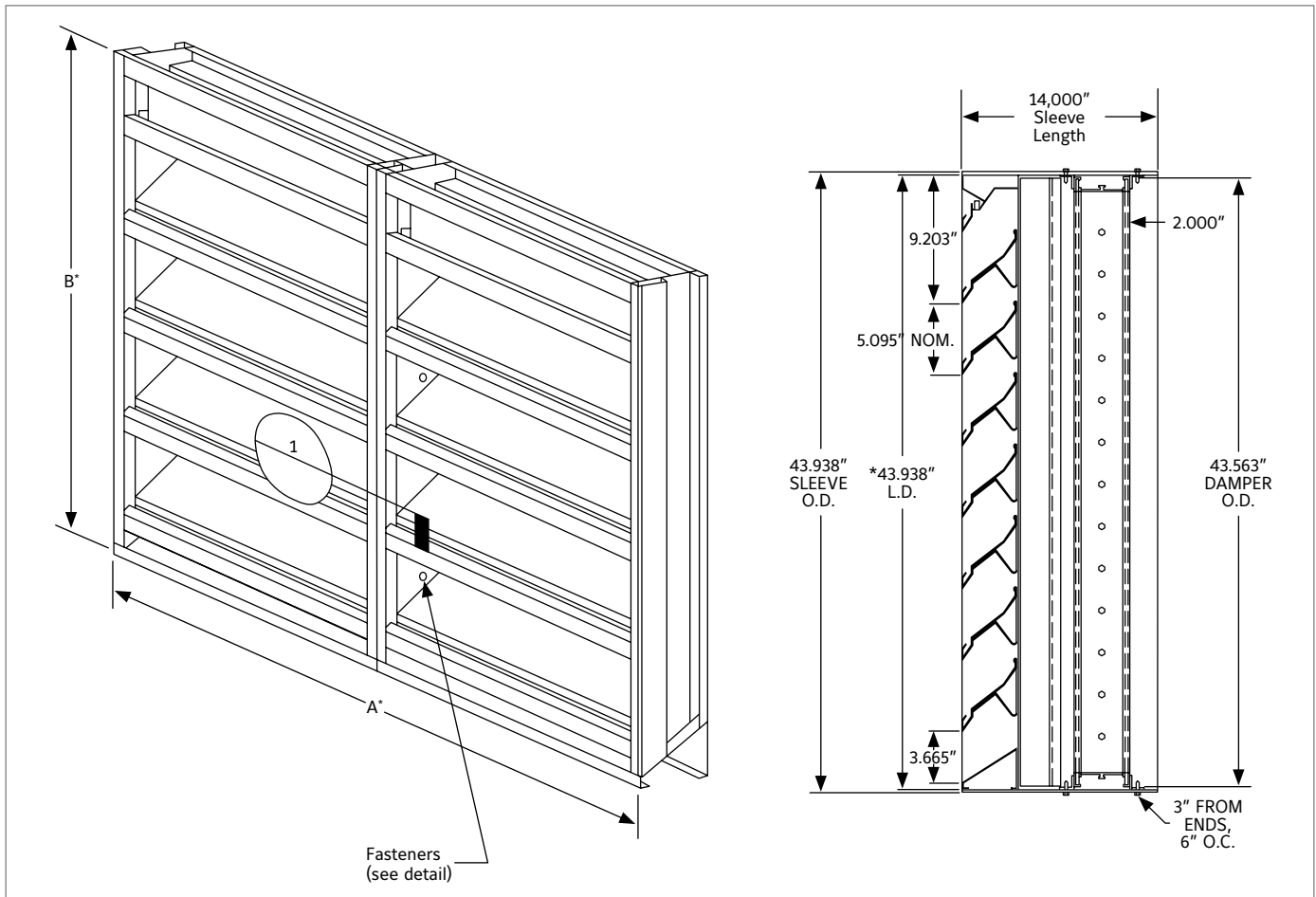
SMOKE DAMPER

SD60 (UL555S Leakage Class 1 Damper)

(The SD60 is an ultra-low leakage rated smoke damper used in ducts that penetrate smoke rated barriers.)

- ▶ Air Leakage Class 1
- ▶ Damper Frame Depth is 5" and Blade width is 6"
- ▶ Max Single Section 48"x 72"
- ▶ Opposed Blade
- ▶ Mill Finish
- ▶ Factory-Installed, pneumatic and electric actuators
- ▶ SP100 Switch Package
- ▶ Jack shafted or Extended Shaft option
- ▶ Concealed Linkage

ELF375DXD WITH DAMPER COMBO



SUGGESTED SPECIFICATION

Furnish and install louvers as hereinafter specified where shown on plans or as described in schedules. Drainable stationary louver and meeting the performance criteria established by the Florida Building Code and Miami-Dade County, louvers shall be certified to FBC standards TAS 201 (Large Missile Impact), TAS 202 (Uniform Static Air Pressure) and TAS 203 (Cyclic Wind Loading). Louvers shall be manufactured in an ISO 9001 certified factory. Louvers shall be stationary type contained within a 4" (102) frame. Louver components (heads, jambs, sills, blades, and mullions) shall be factory assembled by the louver manufacturer. Louver sizes too large for shipping shall be built up by the contractor from factory assembled louver sections to provide overall sizes required.

Louvers shall be Ruskin Model ELF375DXD construction as follows:

Material

Frame: .081" (2.1) aluminum channel.

Blades: .081" (2.1) nominal wall thickness.

Screen: 5/8" mesh x .040" (16 x 1) expanded flattened aluminum bird screen in removable frame. Drainable blades are positioned at 37 1/2°.

Finish: Select finish specification from Ruskin/PVDF Finishes Brochure.

Published louver performance data bearing the AMCA Certified Ratings Seal for Air Performance and Water Penetration must be submitted for approval prior to fabrication and must demonstrate pressure drop equal to or less than the Ruskin model specified.

Structural Design

Integral structural supports shall be designed and furnished by the louver manufacturer to carry a wind load of not less than ±130 psf (6.22 kPa).

LINKS TO IMPORTANT DOCUMENTS

Document Title

Paint Finishes and Color Guide

Limited Warranty Document



3900 Doctor Greaves Road
Grandview, MO 64030
Website: www.ruskin.com
Phone: (816) 761-7476