

ADC(H)12, ADC(H)22 & ADC(H)W22

SMACNA Standard Access Doors



APPLICATION

Ruskin access doors offer quick, easy and economical installation wherever duct access is needed. Manual locks assure tight door closure and the continuous piano-type hinge models give smooth operation. The ADCW and ADHW models feature a “see through” panel that permits visual duct inspection without door removal.

STANDARD CONSTRUCTION

Frame	22 gage (.8) galvanized steel with seal
Door	22 gage (.8) galvanized steel
Hinge (ADH models only)	Plated steel continuous piano type
Cam locks	Plated steel - see note 4 for quantity per door
Seals	Foam gasket
Insulation	Models ADC14 and ADH14 - 1/2" (12) Foil faced foam Models ADC24 and ADH24 - 1" (25) Fiberglass

DOOR CONSTRUCTION

ADC12	Removable, single skin
ADH12	Hinged, single skin
ADC22	Removable, double skin
ADH22	Hinged, double skin
ADCW22	Removable, double skin with round transparent plexiglass window
ADHW22	Hinged, double skin with round transparent plexiglass window

DOOR SIZES

Minimum size	6" w x 6" h (152 x 152)
Maximum size	24" w x 24" h (610 x 610)

MAXIMUM OPERATIONAL RATINGS

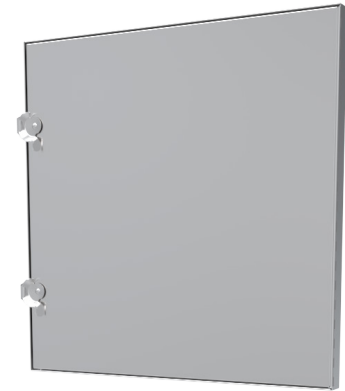
Maximum Static Pressure (per SMACNA Duct Construction Standards)	Through 12" w x 12" h (305 x 305) - 3" w.g.
	Above 12" w x 12" h (305 x 305) - 2" w.g.
	SMACNA standard access doors (double skin only) have been tested to higher pressures but will not be constructed per SMACNA Standards and will leak more. Refer to page 2 for more information

INSTALLATION

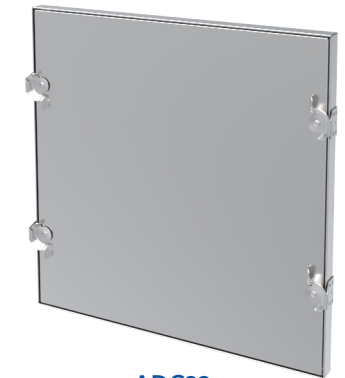
Cut hole 11/8" (28) smaller than door size

NOTE:

- Dimensions shown in parenthesis () indicate millimeters.
- Access doors furnished actual size.
- For doors larger than 24" x 24" (610 x 610) see GPAD.
- ADH Models - Doors 16" (406) and under have one lock, doors over 16" (406) have two locks.
ADC Models - Doors 16" (406) and under have two locks, doors over 16" (406) have four locks.



ADH22



ADC22

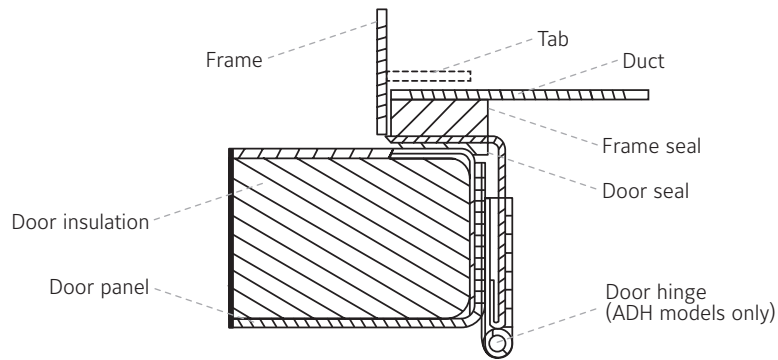
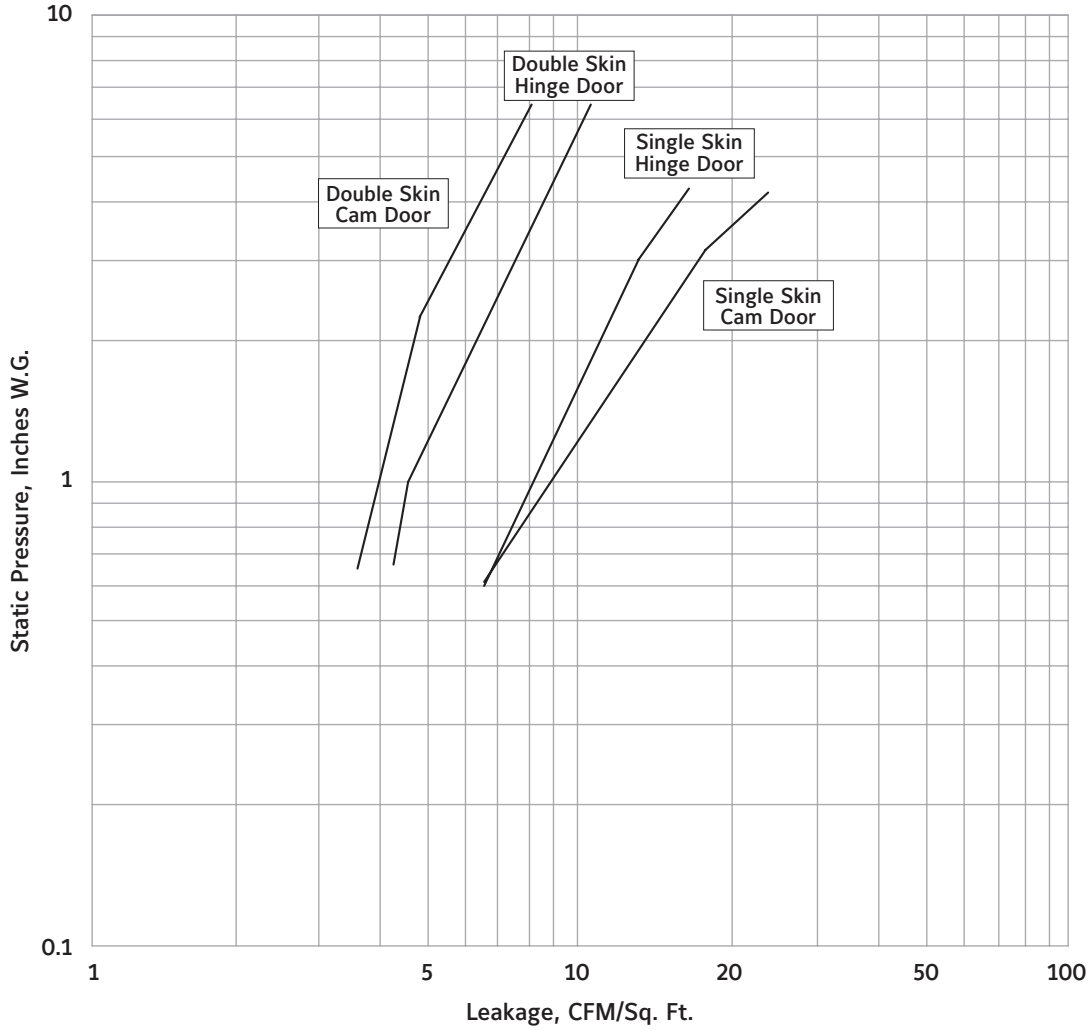


VARIATIONS

- ▶ Additional Cam Locks
- ▶ Stainless Steel Cam Locks
- ▶ Brass Plated Cam Locks
- ▶ Ventlock 100 latches
- ▶ 304 Stainless steel construction
- ▶ Aluminum construction
- ▶ 20 gage (.9) door panels
- ▶ Security chain
- ▶ Stainless Steel hinge
- ▶ Wire reinforced glass window
- ▶ Neoprene door seal
- ▶ Intermediate sizes between 6" x 6" (152 x 152) and 24" x 24" (610 x 610)

PERFORMANCE DATA

12" x 12" ACCESS DOOR



DOOR DETAIL



3900 Doctor Greaves Road
 Kansas City, MO 64030
 Website: www.ruskin.com
 Phone: (816) 761-7476