

## MDRS25 ROUND MANUAL BALANCING DAMPER

The MDRS25 is a ruggedly built round manual balancing damper with factory mounted, locking hand quadrant designed especially for manual balancing applications within round spiral ductwork. It is easy to install and seal, becomes part of the ductwork and offers an economical alternative to a "shop built" damper

### STANDARD CONSTRUCTION

#### FRAME

20 gauge (.91) galvanized steel, 6" (152) wide.

#### BLADES

20 gauge (.91) galvanized steel.

#### CONTROL SHAFT/HAND QUADRANT

3/8" (10) square axle shaft extending beyond frame through factory mounted, locking hand quadrant.

#### BEARINGS

Molded synthetic.

#### FINISH

Mill galvanized.

#### MAXIMUM VELOCITY

1500 fpm. (457 m/min.)

#### MAXIMUM TEMPERATURE

250°F (121°C).

#### DAMPER SIZES

4", 5", 6", 7", 8", 9", 10", 12", 14", 16", 18" and 20" (102, 127, 152, 178, 203, 229, 254, 305, 356, 406, 457, and 508) diameters (D).

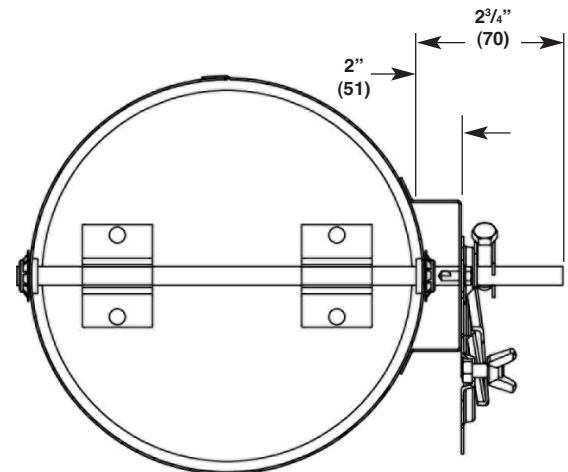
### VARIATION

Variations to standard construction available at additional cost are:

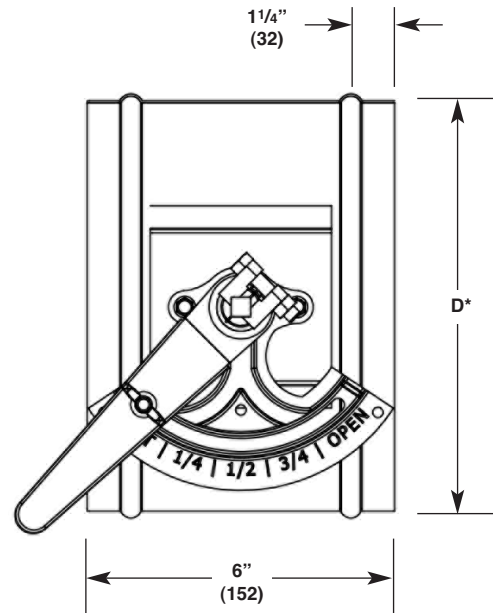
- Oilite bearings.
- 2" (51) hand quadrant stand-off bracket.
- Cable driver. Refer to ZMDRS25.

Dimensions in parenthesis ( ) indicate millimeters.

\*Unit furnished approximately 1/8" (3) smaller than given



2" (51) hand quadrant stand-off bracket option shown.





3900 Dr. Greaves Rd.  
Kansas City, MO 64030  
(816) 761-7476  
FAX (816) 765-8955  
[www.ruskin.com](http://www.ruskin.com)