

EV630

Horizontal Louver Screen
Extruded Aluminum



APPLICATION

The architecturally appealing EV630 louver screen features a uniquely contoured 6-inch-deep blade specifically engineered to deliver high ventilation performance for parking garages and other structures requiring maximum free area. The EV630 is available with either mitered or boxed corner construction and can also be supplied with an optional hinged door for added accessibility.

STANDARD CONSTRUCTION

| | |
|--------------------------------------|---|
| Blades | 6063T6 extruded aluminum with .081" (2) nominal wall thickness, positioned at 26° angle and spaced approximately 4.75" (121) center to center. |
| Support | As required per wind load. Consult Ruskin. |
| Finish | Mill |
| Approximate Shipping Weight | 4 lbs per sq ft (20 kg per m ²) |
| Maximum Factory Assembly Size | Shall not exceed 120" W X 90" H (3048 X 2286) or 90" W X 120" H (2286 X 3048). Screens larger than the maximum factory assembly size will require field assembly of smaller sections. |

Consult Ruskin for additional information.

FEATURES

The EV630 design features:

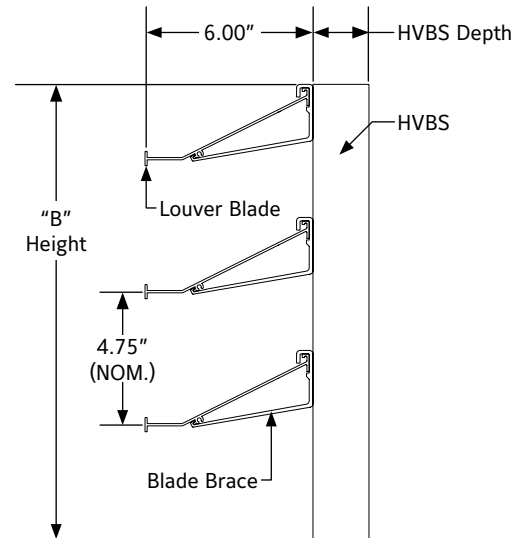
- ▶ Architecturally styled, hidden supports for attractive appearance
- ▶ All aluminum construction for low maintenance and high resistance to corrosion
- ▶ Blade spacing allows for 80% free area

VARIATIONS

Variations to the basic design of this screen are available at additional cost. They include:

- ▶ Mitered or box corners
- ▶ Hinged access sections
- ▶ Clip angles
- ▶ Please see [Paint Finishes and Color Guide](#) and [Finish Type Model Chart](#) for more details. Contact louversales@ruskin.com with questions

Consult Ruskin for other special requirements.

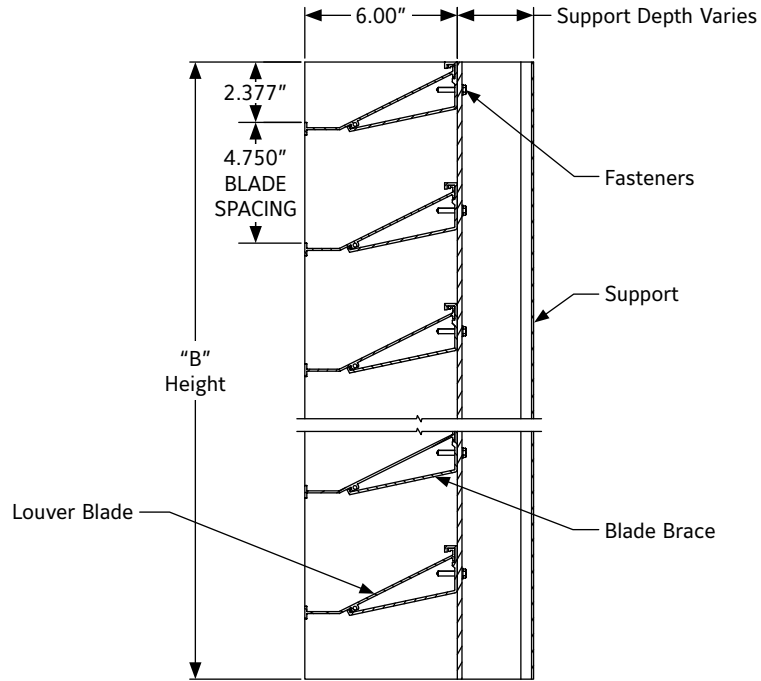


CERTIFICATE NUMBER AJA07/11923

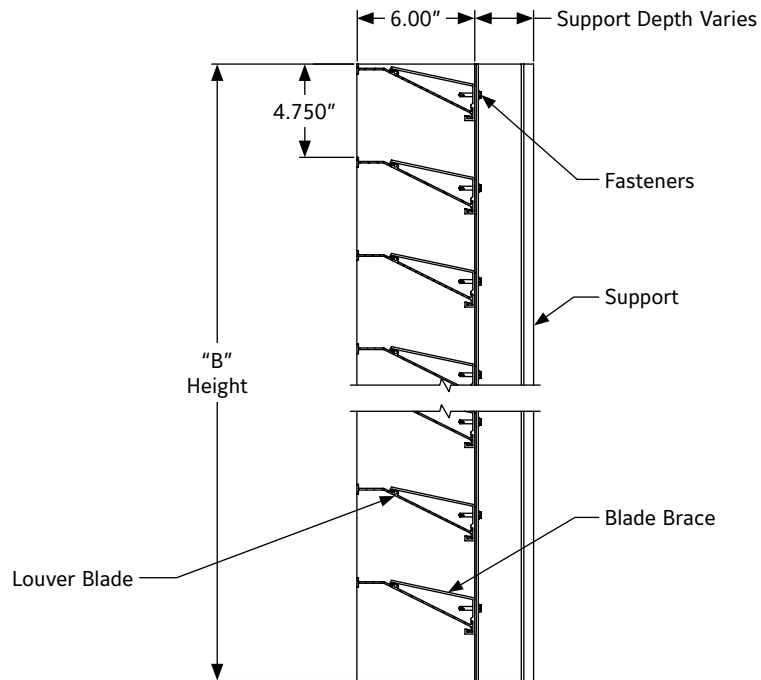
NOTES:

- Dimensions in inches, parenthesis () indicate millimeters.
- Units furnished 1/4" (6) smaller than given opening dimensions.

TYPICAL INSTALLATION DETAILS

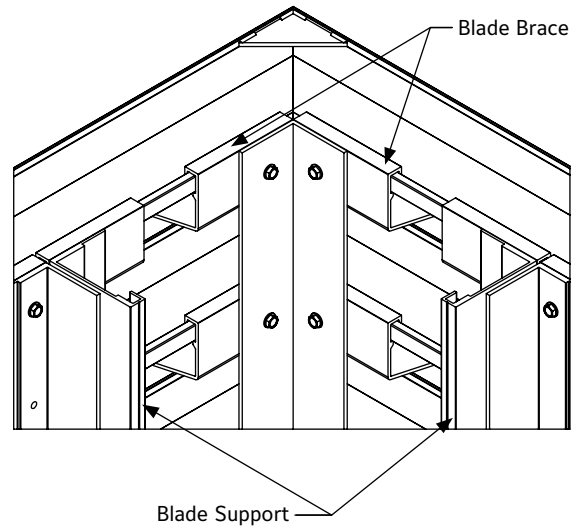
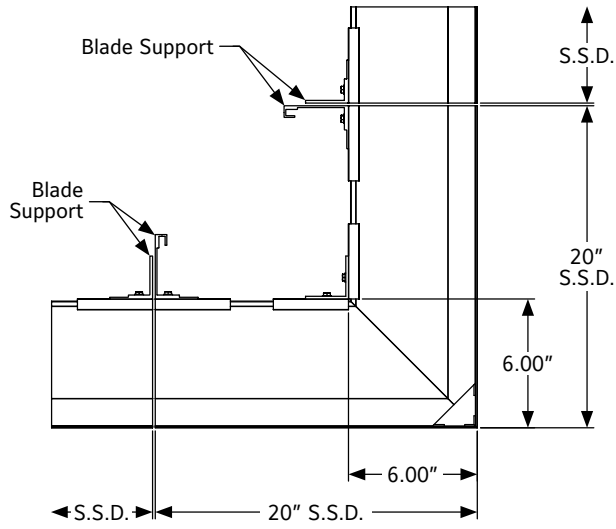


STANDARD BLADE ORIENTATION INSTALLATION DETAIL

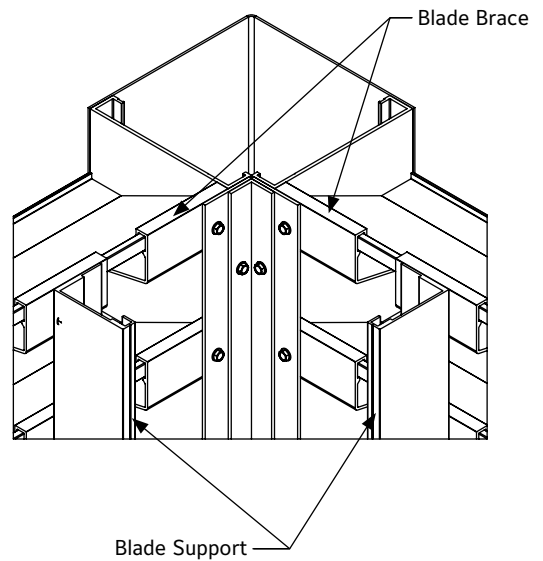
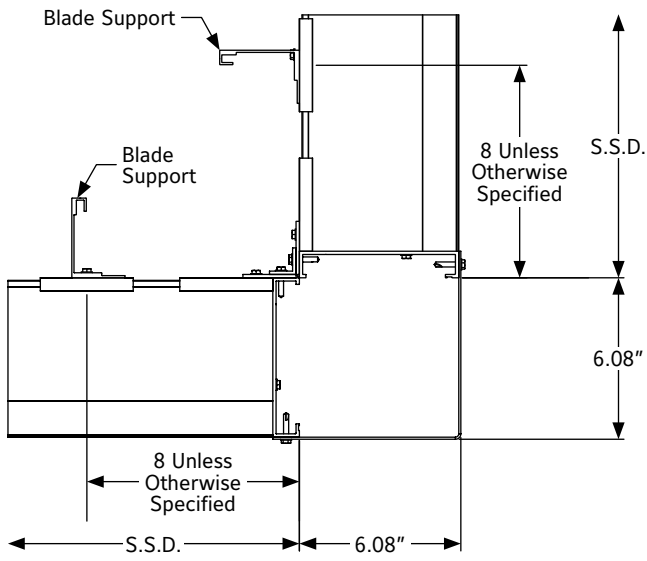


INVERTED BLADE ORIENTATION INSTALLATION DETAIL

TYPICAL INSTALLATION DETAILS



MITERED CORNER DETAIL



BOXED CORNER DETAIL

FREE AREA GUIDE

Free Area Guide shows free area in ft² and m² for various sizes of EV630.

Width – Inches and Meters

| | 12 | 18 | 24 | 30 | 36 | 42 | 48 | 54 | 60 | 66 | 72 | 78 | 84 | 90 | 96 | 102 | 108 | 114 | 120 |
|------------|-------------|--------------|--------------|--------------|--------------|--------------|--------------|--------------|--------------|--------------|--------------|--------------|--------------|--------------|--------------|--------------|--------------|--------------|--------------|
| | 0.31 | 0.46 | 0.61 | 0.77 | 0.92 | 1.07 | 1.22 | 1.38 | 1.53 | 1.68 | 1.83 | 1.99 | 2.14 | 2.29 | 2.44 | 2.6 | 2.75 | 2.9 | 3.05 |
| 12 | 0.35 | 0.53 | 0.71 | 0.89 | 1.06 | 1.24 | 1.42 | 1.59 | 1.77 | 1.95 | 2.13 | 2.30 | 2.48 | 2.66 | 2.83 | 3.01 | 3.19 | 3.36 | 3.54 |
| 0.31 | 0.09 | 0.14 | 0.19 | 0.23 | 0.28 | 0.33 | 0.37 | 0.42 | 0.46 | 0.51 | 0.56 | 0.60 | 0.65 | 0.70 | 0.74 | 0.79 | 0.84 | 0.88 | 0.93 |
| 18 | 1.06 | 1.59 | 2.13 | 2.66 | 3.19 | 3.72 | 4.25 | 4.78 | 5.31 | 5.84 | 6.38 | 6.91 | 7.44 | 7.97 | 8.50 | 9.03 | 9.56 | 10.09 | 10.63 |
| 0.46 | 0.14 | 0.21 | 0.28 | 0.35 | 0.42 | 0.49 | 0.56 | 0.63 | 0.70 | 0.77 | 0.84 | 0.91 | 0.98 | 1.05 | 1.11 | 1.18 | 1.25 | 1.32 | 1.39 |
| 24 | 1.42 | 2.13 | 2.83 | 3.54 | 4.25 | 4.96 | 5.67 | 6.38 | 7.08 | 7.79 | 8.50 | 9.21 | 9.92 | 10.63 | 11.33 | 12.04 | 12.75 | 13.46 | 14.17 |
| 0.61 | 0.19 | 0.28 | 0.37 | 0.46 | 0.56 | 0.65 | 0.74 | 0.84 | 0.93 | 1.02 | 1.11 | 1.21 | 1.30 | 1.39 | 1.49 | 1.58 | 1.67 | 1.77 | 1.86 |
| 30 | 1.77 | 2.66 | 3.54 | 4.43 | 5.31 | 6.20 | 7.08 | 7.97 | 8.85 | 9.74 | 10.63 | 11.51 | 12.40 | 13.28 | 14.17 | 15.05 | 15.94 | 16.82 | 17.71 |
| 0.77 | 0.23 | 0.35 | 0.46 | 0.58 | 0.70 | 0.81 | 0.93 | 1.05 | 1.16 | 1.28 | 1.39 | 1.51 | 1.63 | 1.74 | 1.86 | 1.97 | 2.09 | 2.21 | 2.32 |
| 36 | 2.13 | 3.19 | 4.25 | 5.31 | 6.38 | 7.44 | 8.50 | 9.56 | 10.63 | 11.69 | 12.75 | 13.81 | 14.88 | 15.94 | 17.00 | 18.06 | 19.13 | 20.19 | 21.25 |
| 0.92 | 0.28 | 0.42 | 0.56 | 0.70 | 0.84 | 0.98 | 1.11 | 1.25 | 1.39 | 1.53 | 1.67 | 1.81 | 1.95 | 2.09 | 2.23 | 2.37 | 2.51 | 2.65 | 2.79 |
| 42 | 2.83 | 4.25 | 5.67 | 7.08 | 8.50 | 9.92 | 11.33 | 12.75 | 14.17 | 15.58 | 17.00 | 18.42 | 19.83 | 21.25 | 22.67 | 24.08 | 25.50 | 26.92 | 28.33 |
| 1.07 | 0.33 | 0.49 | 0.65 | 0.81 | 0.98 | 1.14 | 1.30 | 1.46 | 1.63 | 1.79 | 1.95 | 2.11 | 2.28 | 2.44 | 2.60 | 2.76 | 2.93 | 3.09 | 3.25 |
| 48 | 3.19 | 4.78 | 6.38 | 7.97 | 9.56 | 11.16 | 12.75 | 14.34 | 15.94 | 17.53 | 19.13 | 20.72 | 22.31 | 23.91 | 25.50 | 27.09 | 28.69 | 30.28 | 31.88 |
| 1.22 | 0.37 | 0.56 | 0.74 | 0.93 | 1.11 | 1.30 | 1.49 | 1.67 | 1.86 | 2.04 | 2.23 | 2.42 | 2.60 | 2.79 | 2.97 | 3.16 | 3.34 | 3.53 | 3.72 |
| 54 | 3.54 | 5.31 | 7.08 | 8.85 | 10.63 | 12.40 | 14.17 | 15.94 | 17.71 | 19.48 | 21.25 | 23.02 | 24.79 | 26.56 | 28.33 | 30.10 | 31.88 | 33.65 | 35.42 |
| 1.38 | 0.42 | 0.63 | 0.84 | 1.05 | 1.25 | 1.46 | 1.67 | 1.88 | 2.09 | 2.30 | 2.51 | 2.72 | 2.93 | 3.14 | 3.34 | 3.55 | 3.76 | 3.97 | 4.18 |
| 60 | 4.25 | 6.38 | 8.50 | 10.63 | 12.75 | 14.88 | 17.00 | 19.13 | 21.25 | 23.38 | 25.50 | 27.63 | 29.75 | 31.88 | 34.00 | 36.13 | 38.25 | 40.38 | 42.50 |
| 1.53 | 0.46 | 0.70 | 0.93 | 1.16 | 1.39 | 1.63 | 1.86 | 2.09 | 2.32 | 2.55 | 2.79 | 3.02 | 3.25 | 3.48 | 3.72 | 3.95 | 4.18 | 4.41 | 4.65 |
| 66 | 4.60 | 6.91 | 9.21 | 11.51 | 13.81 | 16.11 | 18.42 | 20.72 | 23.02 | 25.32 | 27.63 | 29.93 | 32.23 | 34.53 | 36.83 | 39.14 | 41.44 | 43.74 | 46.04 |
| 1.68 | 0.51 | 0.77 | 1.02 | 1.28 | 1.53 | 1.79 | 2.04 | 2.30 | 2.55 | 2.81 | 3.07 | 3.32 | 3.58 | 3.83 | 4.09 | 4.34 | 4.60 | 4.85 | 5.11 |
| 72 | 4.96 | 7.44 | 9.92 | 12.40 | 14.88 | 17.35 | 19.83 | 22.31 | 24.79 | 27.27 | 29.75 | 32.23 | 34.71 | 37.19 | 39.67 | 42.15 | 44.63 | 47.10 | 49.58 |
| 1.83 | 0.56 | 0.84 | 1.11 | 1.39 | 1.67 | 1.95 | 2.23 | 2.51 | 2.79 | 3.07 | 3.34 | 3.62 | 3.90 | 4.18 | 4.46 | 4.74 | 5.02 | 5.30 | 5.57 |
| 78 | 5.31 | 7.97 | 10.63 | 13.28 | 15.94 | 18.59 | 21.25 | 23.91 | 26.56 | 29.22 | 31.88 | 34.53 | 37.19 | 39.84 | 42.50 | 45.16 | 47.81 | 50.47 | 53.13 |
| 1.99 | 0.60 | 0.91 | 1.21 | 1.51 | 1.81 | 2.11 | 2.42 | 2.72 | 3.02 | 3.32 | 3.62 | 3.93 | 4.23 | 4.53 | 4.83 | 5.13 | 5.43 | 5.74 | 6.04 |
| 84 | 6.02 | 9.03 | 12.04 | 15.05 | 18.06 | 21.07 | 24.08 | 27.09 | 30.10 | 33.11 | 36.13 | 39.14 | 42.15 | 45.16 | 48.17 | 51.18 | 54.19 | 57.20 | 60.21 |
| 2.14 | 0.65 | 0.98 | 1.30 | 1.63 | 1.95 | 2.28 | 2.60 | 2.93 | 3.25 | 3.58 | 3.90 | 4.23 | 4.55 | 4.88 | 5.20 | 5.53 | 5.85 | 6.18 | 6.50 |
| 90 | 6.38 | 9.56 | 12.75 | 15.94 | 19.13 | 22.31 | 25.50 | 28.69 | 31.88 | 35.06 | 38.25 | 41.44 | 44.63 | 47.81 | 51.00 | 54.19 | 57.38 | 60.56 | 63.75 |
| 2.29 | 0.70 | 1.05 | 1.39 | 1.74 | 2.09 | 2.44 | 2.79 | 3.14 | 3.48 | 3.83 | 4.18 | 4.53 | 4.88 | 5.23 | 5.57 | 5.92 | 6.27 | 6.62 | 6.97 |
| 96 | 6.73 | 10.09 | 13.46 | 16.82 | 20.19 | 23.55 | 26.92 | 30.28 | 33.65 | 37.01 | 40.38 | 43.74 | 47.10 | 50.47 | 53.83 | 57.20 | 60.56 | 63.93 | 67.29 |
| 2.44 | 0.74 | 1.11 | 1.49 | 1.86 | 2.23 | 2.60 | 2.97 | 3.34 | 3.72 | 4.09 | 4.46 | 4.83 | 5.20 | 5.57 | 5.95 | 6.32 | 6.69 | 7.06 | 7.43 |
| 102 | 7.08 | 10.63 | 14.17 | 17.71 | 21.25 | 24.79 | 28.33 | 31.88 | 35.42 | 38.96 | 42.50 | 46.04 | 49.58 | 53.13 | 56.67 | 60.21 | 63.75 | 67.29 | 70.83 |
| 2.6 | 0.79 | 1.18 | 1.58 | 1.97 | 2.37 | 2.76 | 3.16 | 3.55 | 3.95 | 4.34 | 4.74 | 5.13 | 5.53 | 5.92 | 6.32 | 6.71 | 7.11 | 7.50 | 7.90 |
| 108 | 7.79 | 11.69 | 15.58 | 19.48 | 23.38 | 27.27 | 31.17 | 35.06 | 38.96 | 42.85 | 46.75 | 50.65 | 54.54 | 58.44 | 62.33 | 66.23 | 70.13 | 74.02 | 77.92 |
| 2.75 | 0.84 | 1.25 | 1.67 | 2.09 | 2.51 | 2.93 | 3.34 | 3.76 | 4.18 | 4.60 | 5.02 | 5.43 | 5.85 | 6.27 | 6.69 | 7.11 | 7.53 | 7.94 | 8.36 |
| 114 | 8.15 | 12.22 | 16.29 | 20.36 | 24.44 | 28.51 | 32.58 | 36.66 | 40.73 | 44.80 | 48.88 | 52.95 | 57.02 | 61.09 | 65.17 | 69.24 | 73.31 | 77.39 | 81.46 |
| 2.9 | 0.88 | 1.32 | 1.77 | 2.21 | 2.65 | 3.09 | 3.53 | 3.97 | 4.41 | 4.85 | 5.30 | 5.74 | 6.18 | 6.62 | 7.06 | 7.50 | 7.94 | 8.38 | 8.83 |
| 120 | 8.50 | 12.75 | 17.00 | 21.25 | 25.50 | 29.75 | 34.00 | 38.25 | 42.50 | 46.75 | 51.00 | 55.25 | 59.50 | 63.75 | 68.00 | 72.25 | 76.50 | 80.75 | 85.00 |
| 3.05 | 0.93 | 1.39 | 1.86 | 2.32 | 2.79 | 3.25 | 3.72 | 4.18 | 4.65 | 5.11 | 5.57 | 6.04 | 6.50 | 6.97 | 7.43 | 7.90 | 8.36 | 8.83 | 9.29 |

Height – Inches and Meters

SUGGESTED SPECIFICATION

Furnish and install louver screens as described in schedules. Louver screen components shall be factory assembled by the manufacturer. Sizes too large for shipping shall be built up by the contractor from factory assembled sections to provide overall sizes required. Design shall incorporate blade supports required to withstand a wind load of 30 lbs. per sq. ft. (1.44KPa) (equivalent of a 110 mph wind [177 KPH] – specifier may substitute any loading required) when attached to structural supports supplied by others.

Louver screens shall be architectural style with continuous appearing stationary blades – intermediate supports shall not interrupt blade appearance when viewed from outside of screen.

Screens shall be Ruskin Model EV630 extruded 6063T6 aluminum alloy construction as follows:

Blades: .081" (2) wall thickness at 36° angle and spaced approximately 4.75" (121) center to center.

Fasteners: Anchorage shall be concealed and not visible on the exterior face of the screen.

Finish: Select finish specification from Ruskin Finishes Brochure.

LINKS TO IMPORTANT DOCUMENTS

| Document Title |
|--|
| Paint Finishes and Color Guide |
| Limited Warranty Document |



3900 Doctor Greaves Road
Grandview, MO 64030
Website: www.ruskin.com
Phone: (816) 761-7476