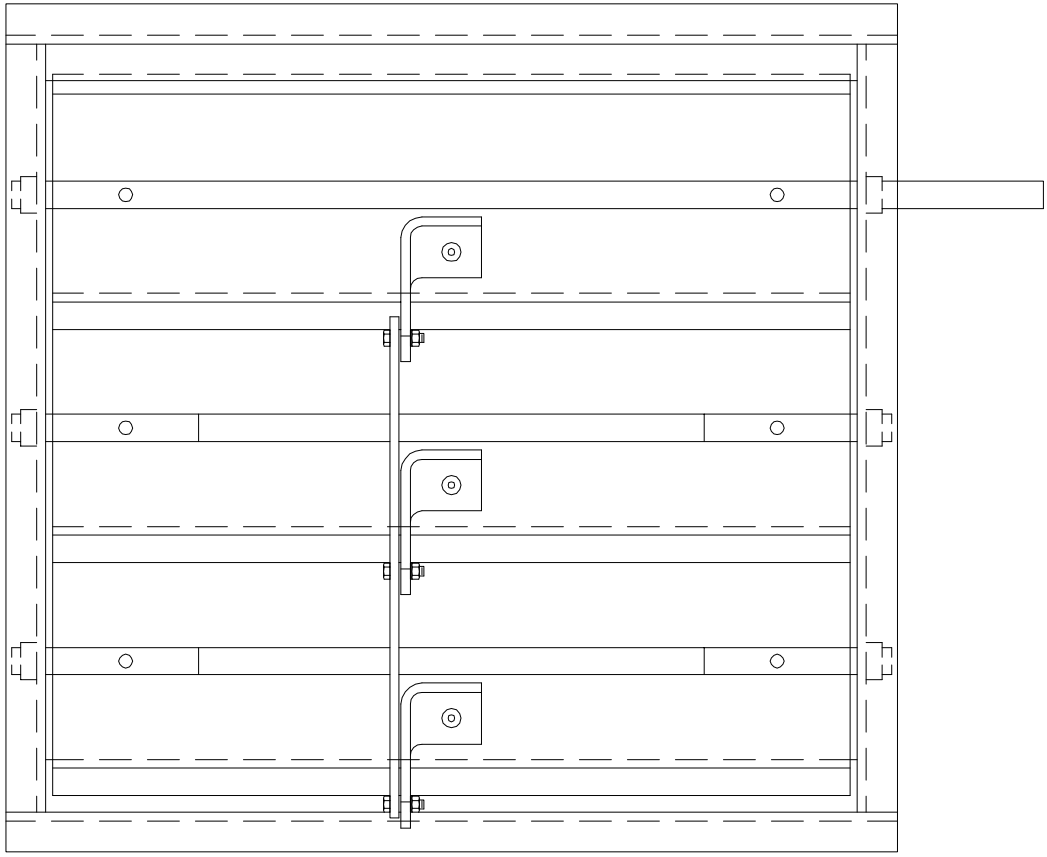
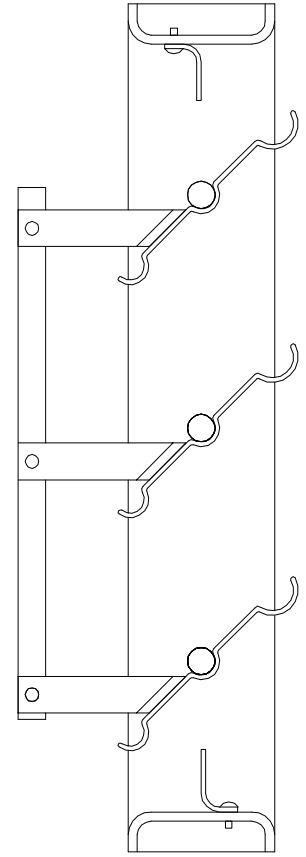


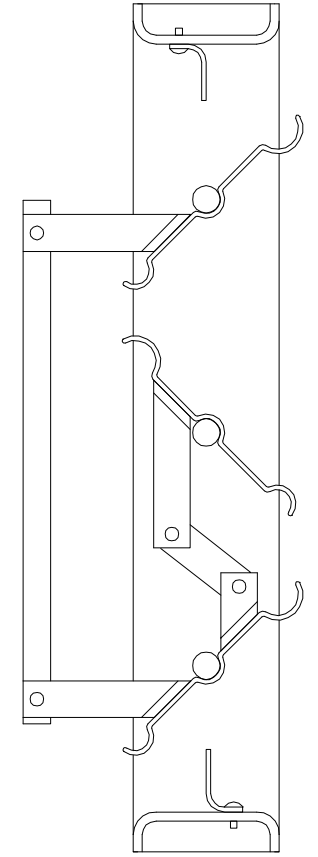
FIBER-AIRE
INDUCT MOUNTED
CONTROL DAMPER 1104



FACE VIEW



(PARALLEL)



(OPPOSED)

SECTION VIEW
EXPOSED LINKAGE