



3900 Dr. Greaves Rd. • Kansas City, MO 64030 • (816) 761-7476 • FAX (816) 765-8955

DIBDT, DIBDT1 and DIBDT2 CURTAIN TYPE DYNAMIC FIRE DAMPERS
1 1/2 HOUR UL555 RATED FOR USE IN STATIC OR DYNAMIC SYSTEMS

APPLICATION

The Model DIBDT is a thinline fire damper that can be installed vertically in walls and partitions with fire resistance ratings of less than 3 hours. The DIBDT carries a 1 1/2 hour UL fire damper label and is classified as a dynamic (fans on) or static (fans off) damper for use in HVAC systems that remain in operation during a fire.

Ruskin Model DIBDT is a thinline 1 1/2 hour UL classified dynamic (fans on) curtain style fire damper for use in HVAC systems that shut down during or continue to operate during a fire event. Fire dampers used for the protection of openings in walls and partitions with fire resistance ratings of less than 3 hours and shall have a 1 1/2 hour fire protection rating. The DIBDT can be installed vertically in walls and is rated for airflow in either direction.



DIBDT

STANDARD CONSTRUCTION	
Description	DIBDT
Frame	Galvanized Steel (in gauges required by UL listing R-5531).
Blades	Galvanized Steel (in gauges required by UL listing R-5531).
Closure Springs	301 stainless steel constant force type
Fuse Link	165°F (74°C) is standard 212°F (100°C) is available as an option

DAMPER SIZES

Sizes indicated below are for ratings of 2000 FPM (10.2 m/s) and 4 in. w.g. (1 kPa).

MINIMUM SIZE

DIBDT - 6"w x 6"h (152 x 152)

MAXIMUM SIZE

DIBDT
Single Section Vertical - 24"w x 24"h (914 x 914)

NOTES

- Dampers are furnished approximately 1/4" (6) smaller than given opening dimensions.
- Dimensions shown in parentheses () indicate millimeters.

OPTIONS

- Factory Sleeves** of various lengths and gauges to ensure field compliance with UL installation requirements. DIBDT only.
- FAST Angle** factory supplied for labor saving angle one-side installation. Other angles of various sizes and gauges also available for one-side or two-side installation.

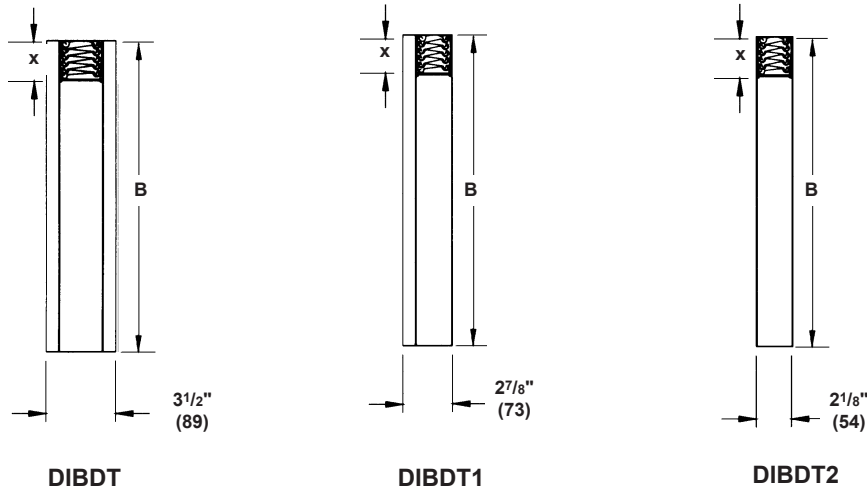
UL CLASSIFIED
 UL555S Listing R5531



Models DIBDT series meets the requirements for combination fire and smoke dampers established by:

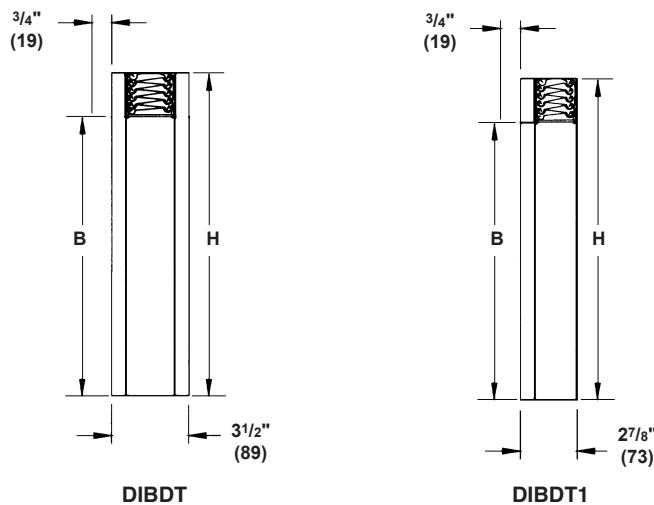
- National Fire Protection Association NFPA Standards** 80, 90A, 92A, 92B, and 101
- ICC International Building Codes**

STYLE A DIMENSIONS



B		X	
4	(102)	15/8	(41)
5	(127)	17/8	(48)
6	(152)	17/8	(48)
7	(178)	2	(51)
8	(203)	2 1/4	(57)
9	(229)	2 1/2	(63)
10	(254)	2 3/4	(69)
11	(279)	3	(76)
12	(305)	3 1/4	(83)
13	(330)	3 1/2	(89)
14	(356)	3 1/2	(89)
15	(381)	3 5/8	(92)
16	(406)	3 7/8	(98)
17	(432)	4 1/8	(105)
18	(457)	4 3/8	(111)
19	(483)	4 5/8	(117)
20	(508)	4 7/8	(124)
21	(533)	5	(127)
22	(559)	5 1/4	(133)
23	(584)	5 1/4	(133)
24	(610)	5 1/2	(140)

STYLE B DIMENSIONS



B		H	
4	(102)	5 3/4	(146)
5	(127)	6 3/4	(171)
6	(152)	7 3/4	(197)
7	(178)	8 3/4	(222)
8	(203)	10 3/4	(273)
9	(229)	11 3/4	(298)
10	(254)	12 3/4	(323)
11	(279)	13 3/4	(349)
12	(305)	14 3/4	(375)
13	(330)	16 3/4	(425)
14	(356)	17 3/4	(451)
15	(381)	18 3/4	(476)
16	(406)	20 3/4	(527)
17	(432)	21 3/4	(552)
18	(457)	22 3/4	(578)
19	(483)	23 3/4	(603)

Dimensions shown in parentheses () indicate millimeters.

SUGGESTED SPECIFICATION

Furnish and install at locations shown on plans, dynamic fire dampers tested, constructed and labeled in accordance with the latest edition of UL standard 555. Dampers shall have a fire rating of 1 1/2 hours and shall meet the requirements of the latest edition of NFPA90A. Curtain type fire dampers suitable for vertical wall or partitions with a fire resistance rating of less than 3 hours. Fire Dampers shall be produced in an ISO 9001 certified factory. Damper frame and blades shall be galvanized steel in gauges required by UL listing R5531 installed in a factory mounted sleeve and shipped loose mounting angle.

Damper blades shall be steel interlock to provide fire shield in gauges required by UL listing R5531. Closure springs shall be of 301 stainless steel and shall be constant force type. Each fire damper shall have a 1 1/2 hour fire protection rating and shall be supplied with a 165°F (74°C) or 212°F (100°C) fusible link. Damper shall be installed in dynamic (fans on) or static (fans off) systems only. Submittal information shall include the fire protection rating and manufacturer's UL installation instruction.

Dynamic fire dampers shall be Ruskin model DIBDT. (Consult www.ruskin.com for electronic version of this "Quick" spec as well as for complete 3- part CSI Master Format Specifications).



3900 Dr. Greaves Rd.
Kansas City, MO 64030
(816) 761-7476
FAX (816) 765-8955
www.ruskin.com