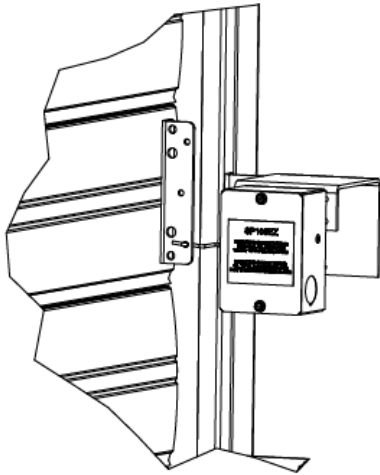


SP100EZ BLADE POSITION LIMIT SWITCHES

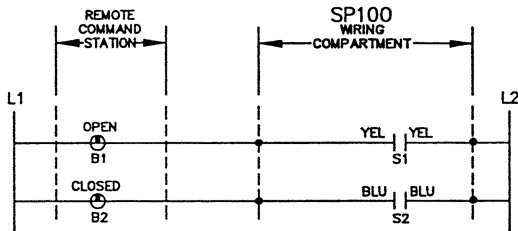
APPLICATION

remotely indicate the damper blade position. The blade indicator switches also provide the possibility of interface with fire alarm panels, BMS systems and/or control on/off fan stations. The SP100EZ has two SPST, normally open switches. One switch makes contact when the damper blades are closed and one for the damper blades in the full open position.

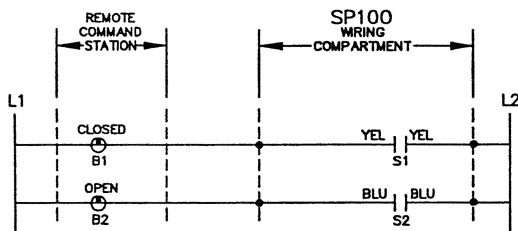


SP100EZ may be field installed with the approval of the local authority

SP100EZ WIRING



LEFT HAND MOUNT



RIGHT HAND MOUNT

- S₁ – Damper position indicator switch. Closed when damper is closed.
- S₂ – Damper position indicator switch. Closed when damper is open.
- B₁ – Remote position indicator lamp.
- B₂ – Remote position indicator lamp.

- S₁ – Damper position indicator switch. Closed when damper is open.
- S₂ – Damper position indicator switch. Closed when damper is closed.
- B₁ – Remote position indicator lamp.
- B₂ – Remote position indicator lamp.

S1 and S2 Switch AMP Ratings: 15 AMPS, @ 24, 125 or 250 VAC 1/2AMP, @ 125 VDC, 1/4 AMP, @ 250 VDC

