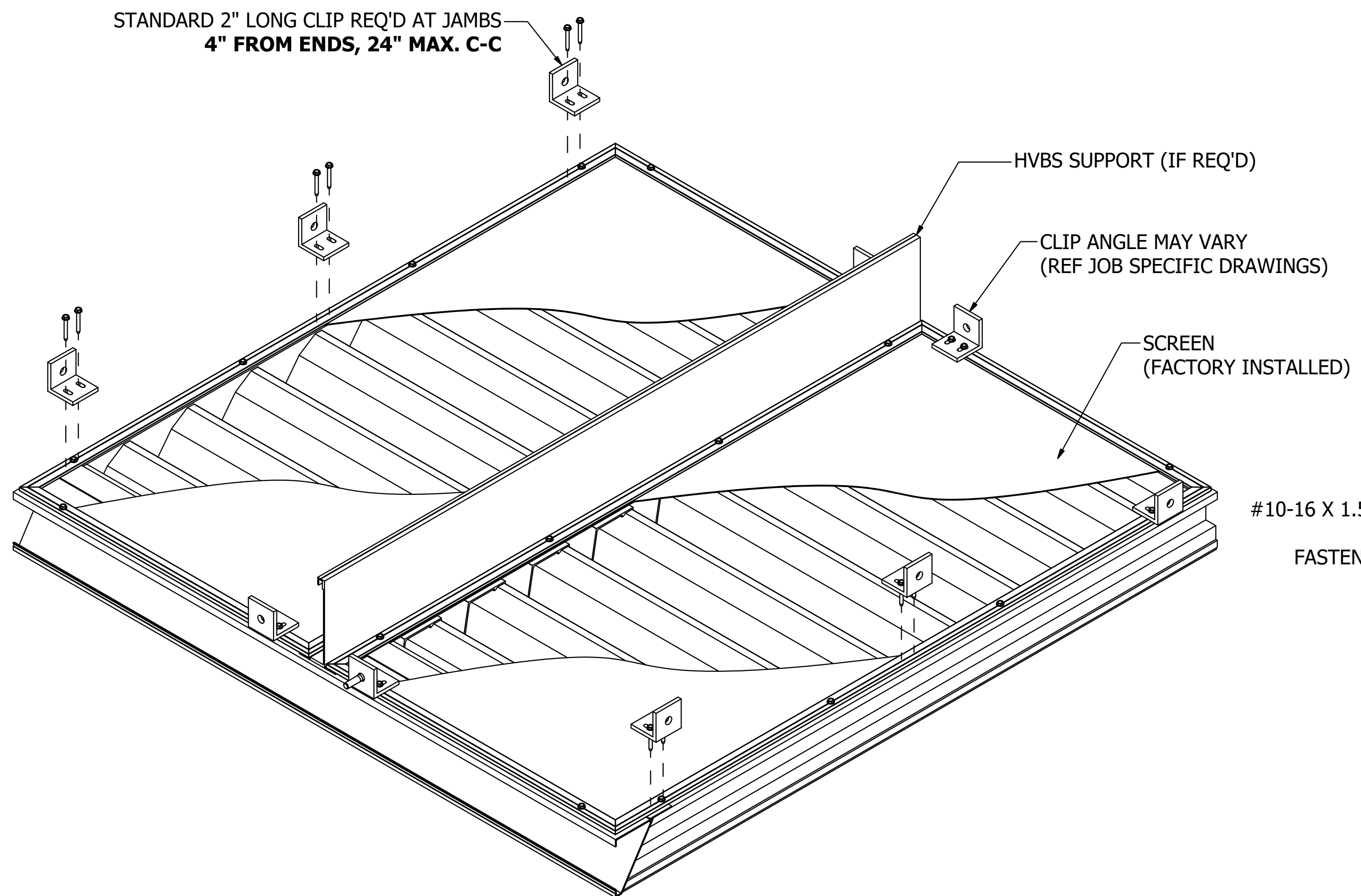


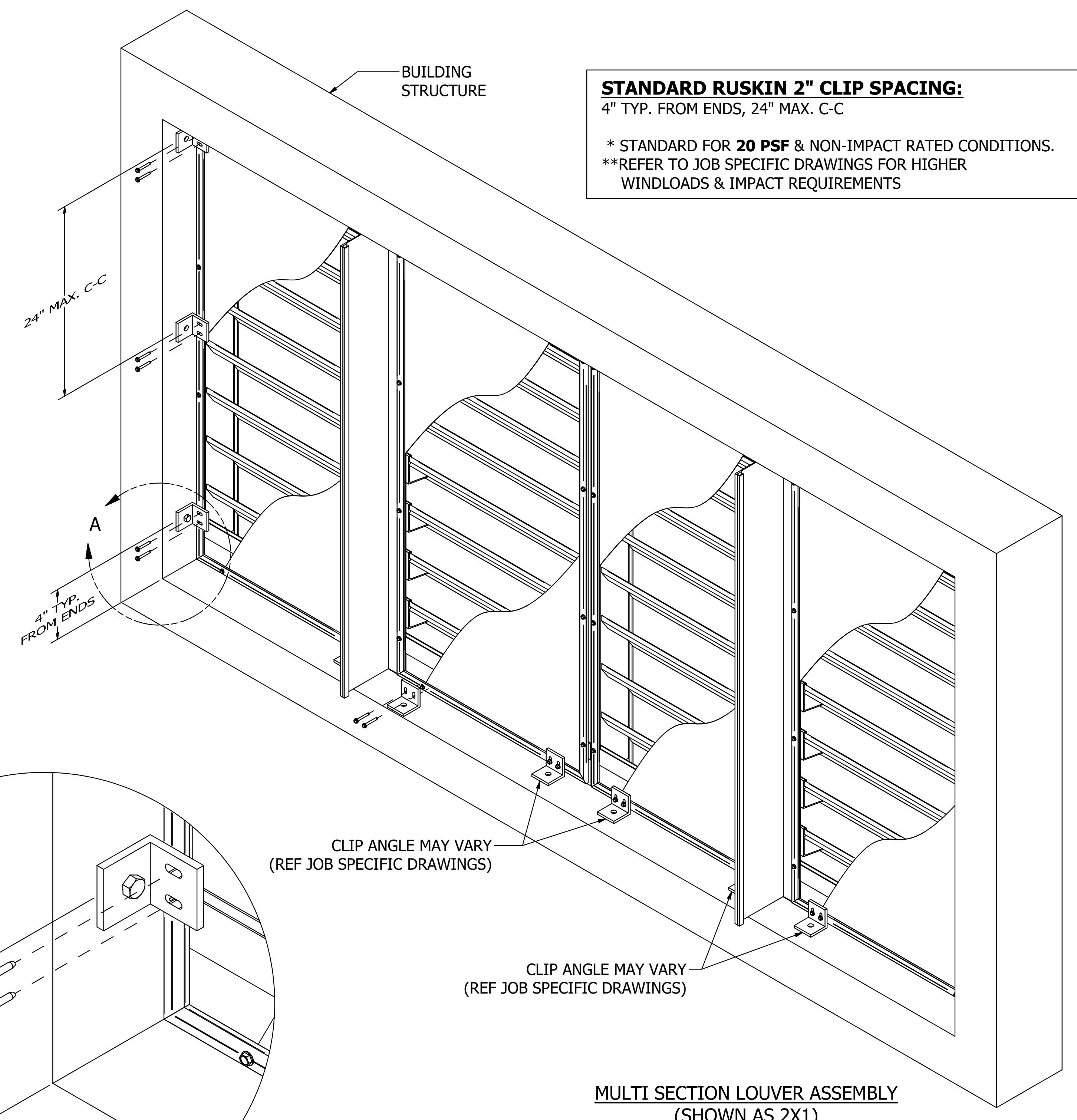
**CLIP ANGLE INSTALLATION - HORIZONTAL BLADE LOUVERS  
(WITHOUT HVBS SUPPORT)**



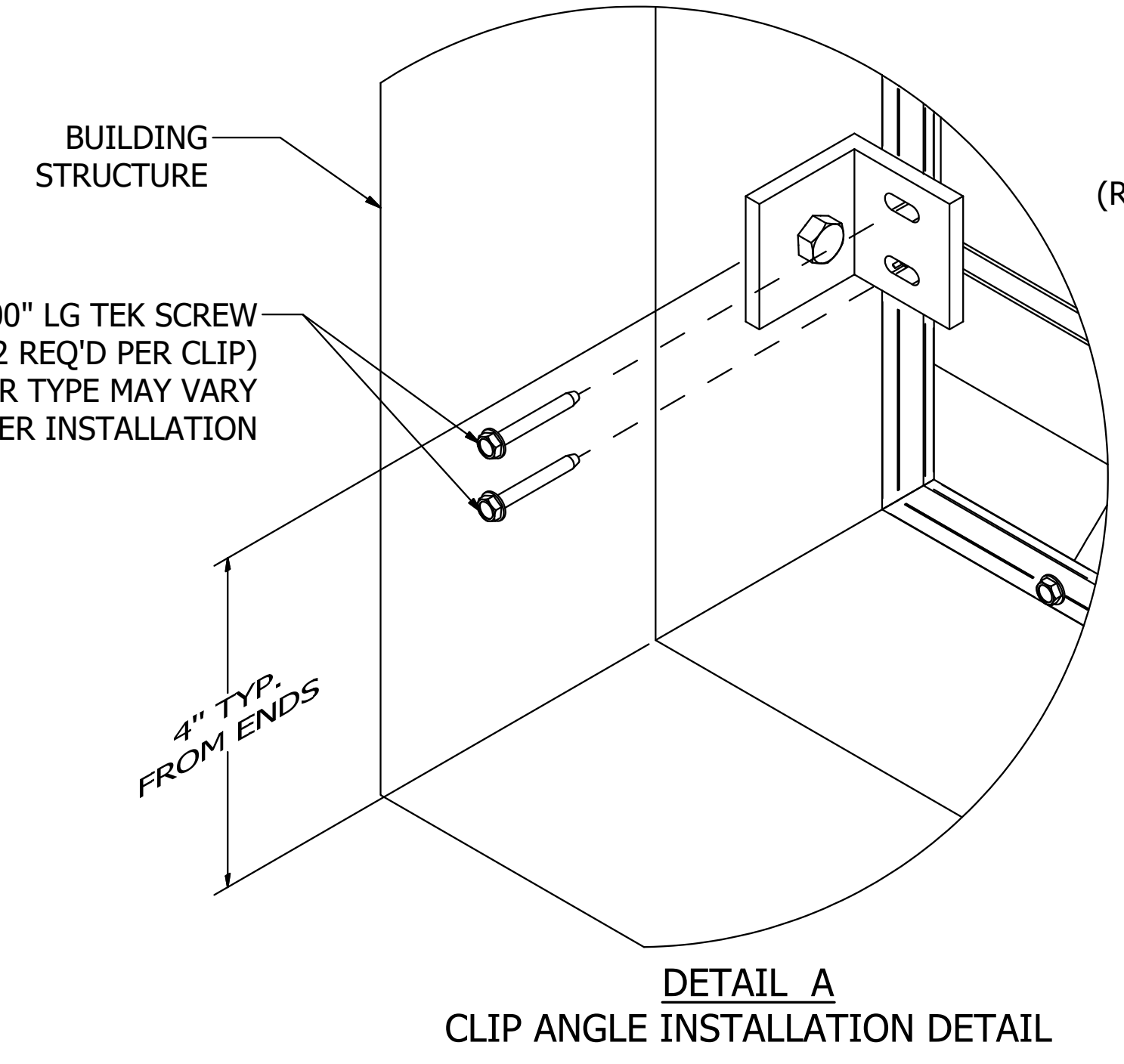
**CLIP ANGLE INSTALLATION - HORIZONTAL BLADE LOUVERS  
(WITH HVBS SUPPORT)**

**ASSEMBLY PROCEDURE:**

1. MAKE SURE YOU RECEIVED A **SHIP LOOSE KIT** WITH CLIP ANGLES, FASTENERS (REFERENCE BOX MARKED HARDWARE) & CLIP ANGLE INSTALLATION GUIDE
2. REFER TO SHOP DRAWINGS TO DETERMINE SET BACK OF CLIP ANGLES ON JAMB/HEAD/SILL IN RELATION TO WALL.
3. NOW MEASURE SET BACK DISTANCE OF CLIP ANGLES FROM WALL AND DRILL HOLES INTO WALL AS NEEDED.
4. ATTACH CLIP ANGLES TO WALL WITH SUBSTRATE FASTENERS. (SUBSTRATE FASTENERS NOT PROVIDED BY RUSKIN)
5. NOW PLACE LOUVER SECTION INTO OPENING.
6. SHIM AROUND LOUVER PERIMETER TO PROVIDE PROPER CLEARANCE/DEDUCT AS MENTIONED IN SHOP DRAWINGS.
7. ONCE CLEARANCE SPECIFICATIONS ARE MET, USE HOLES PROVIDED IN CLIP ANGLE TO DRILL PILOT HOLES IN JAMB.
8. NOW FASTEN JAMB TO CLIP ANGLES WITH FASTENERS AS PROVIDED BY RUSKIN (SHIP LOOSE KIT)
9. REFER SHOP DRAWINGS TO ATTACH CLIPS AT HVBS & MULLION SUPPORTS.




**STANDARD RUSKIN 2" CLIP SPACING:**  
 4" TYP. FROM ENDS, 24" MAX. C-C  
 \* STANDARD FOR 20 PSF & NON-IMPACT RATED CONDITIONS.  
 \*\*REFER TO JOB SPECIFIC DRAWINGS FOR HIGHER WINDLOADS & IMPACT REQUIREMENTS

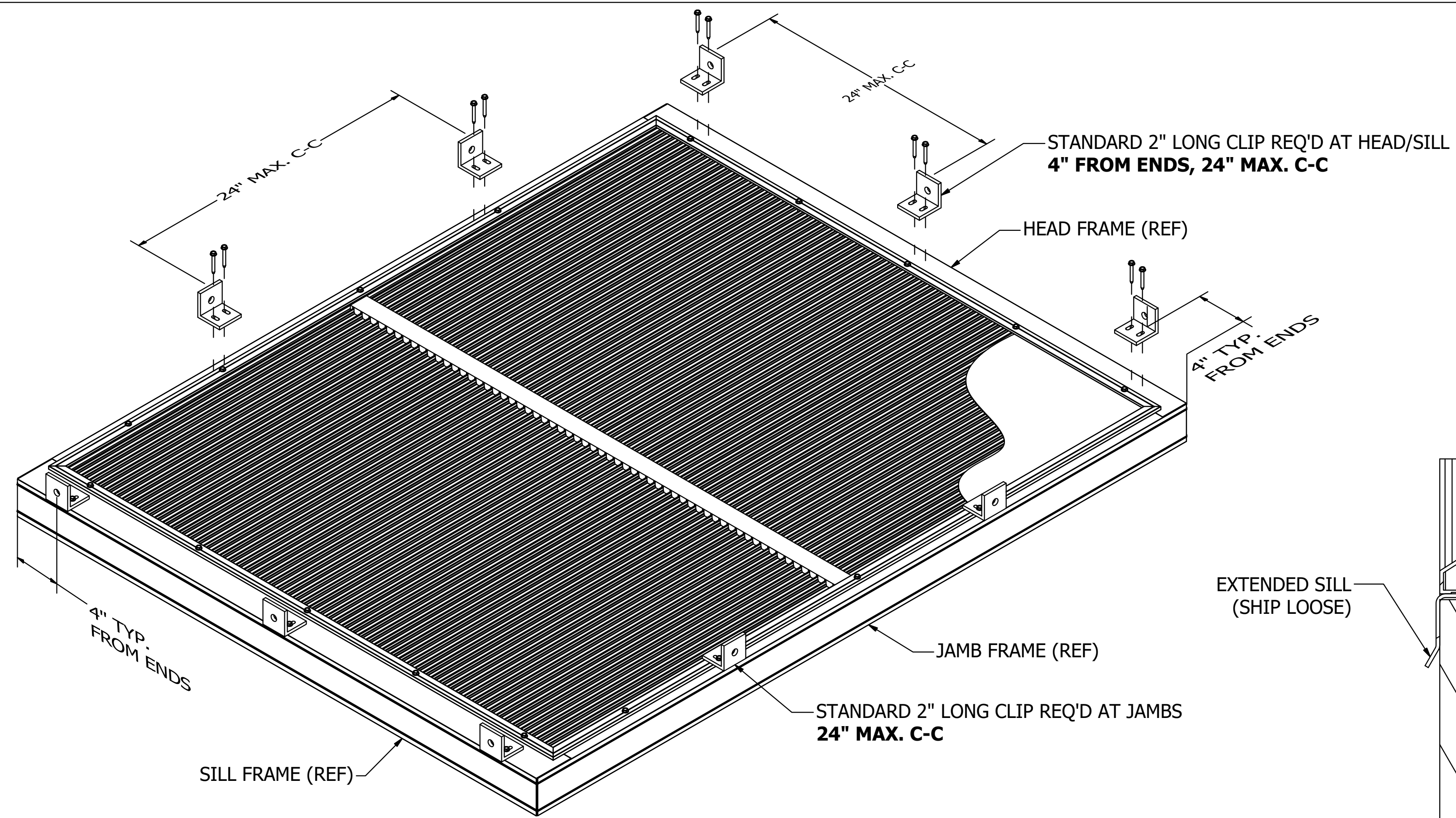


**DETAIL A  
CLIP ANGLE INSTALLATION DETAIL**

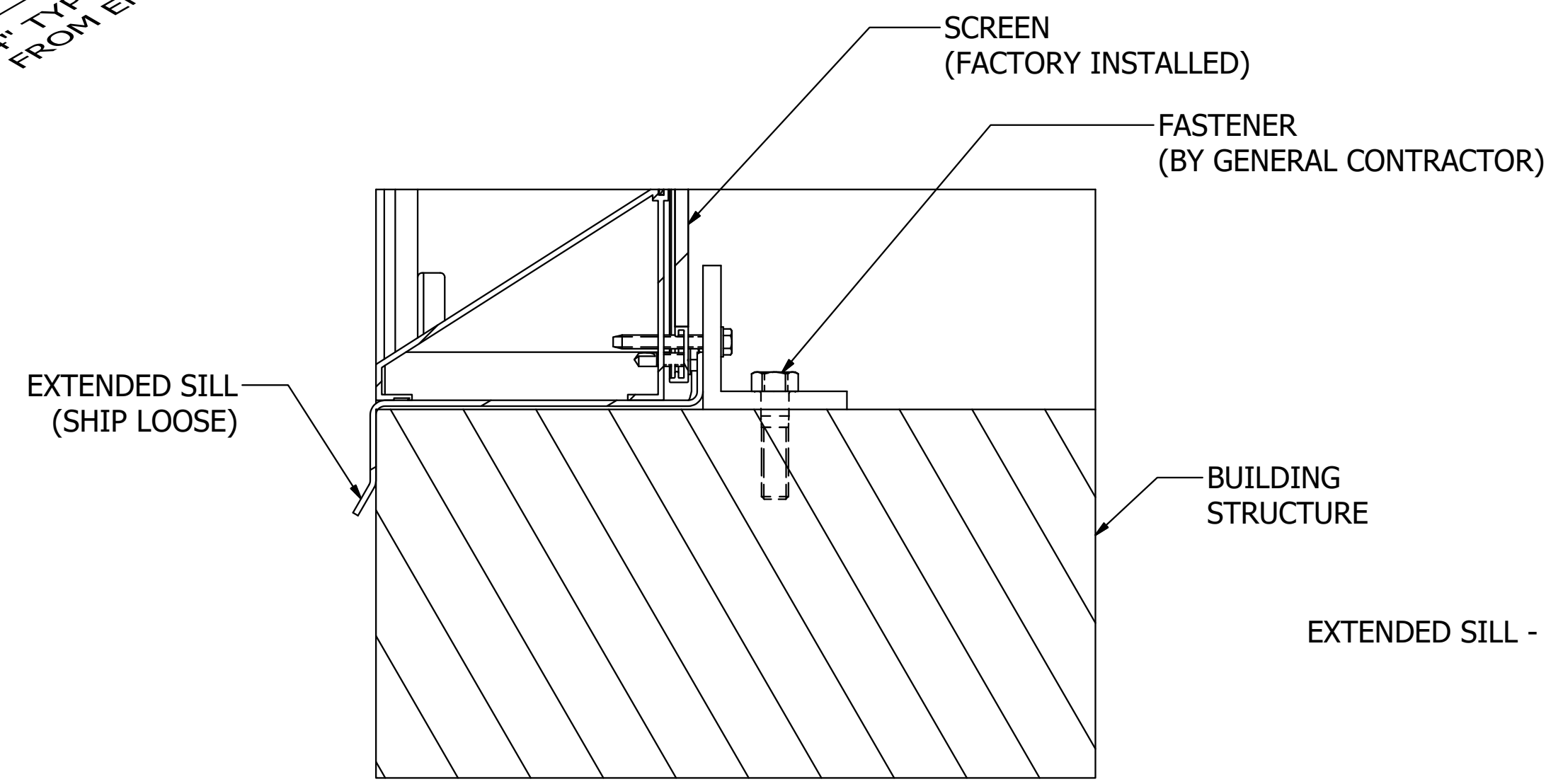
**MULTI SECTION LOUVER ASSEMBLY  
(SHOWN AS 2X1)**

AUTHOR	NS	8/30/2019	 3900 Doctor Greaves Rd, Grandview, MO 64030 PROPRIETARY AND CONFIDENTIAL
CHECKED	WRT	9/5/2019	
APPROVED	WRT	9/6/2019	
MATERIAL			PRODUCT
			TITLE
			STANDARD CLIP ANGLE INSTALLATION GUIDE
			SIZE
			D
			DWG NO
			60-022526-00D
			REV
ECN	6613	9/6/2019	SCALE
			NONE
			INVENTOR
			SHEET 1 OF 2

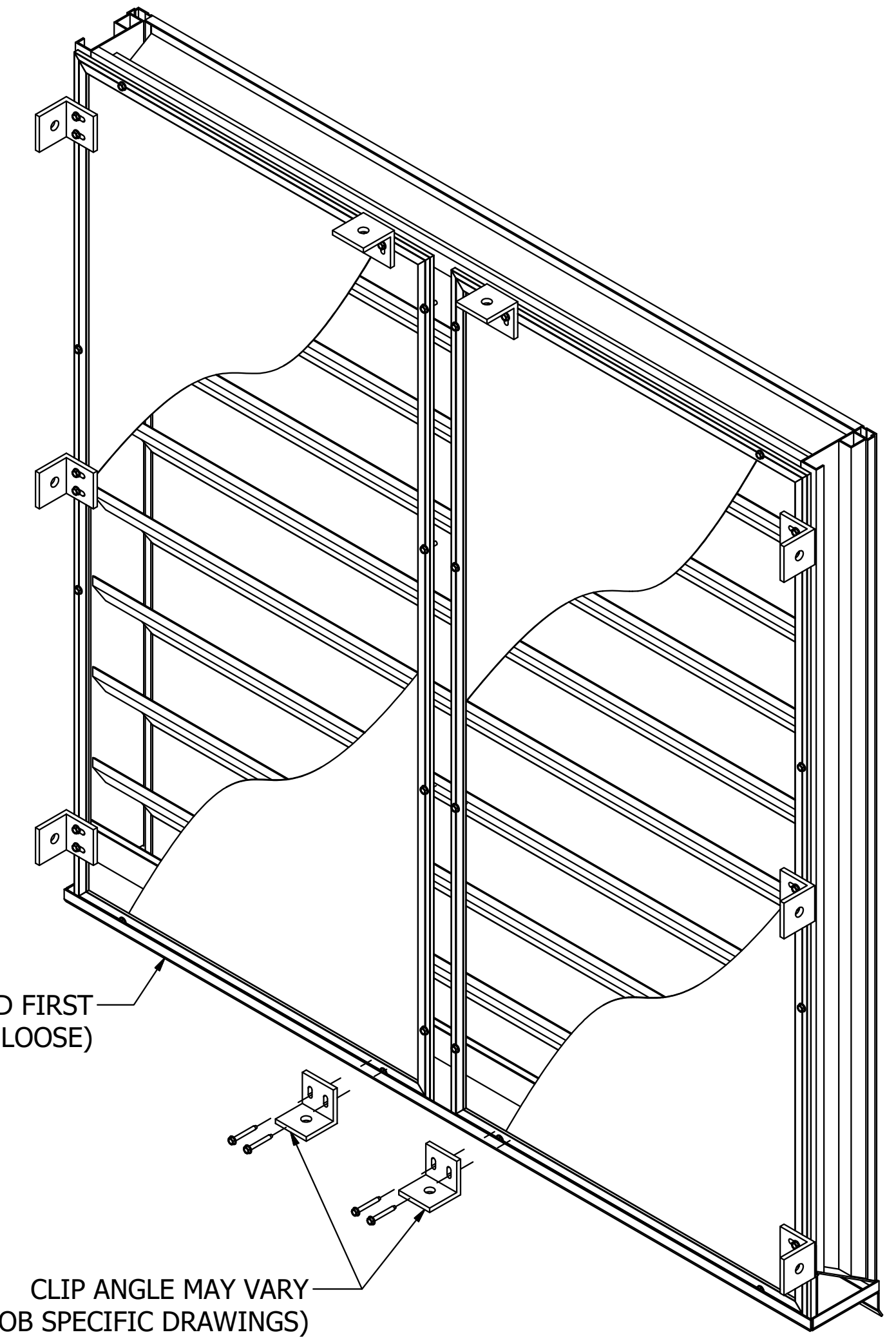




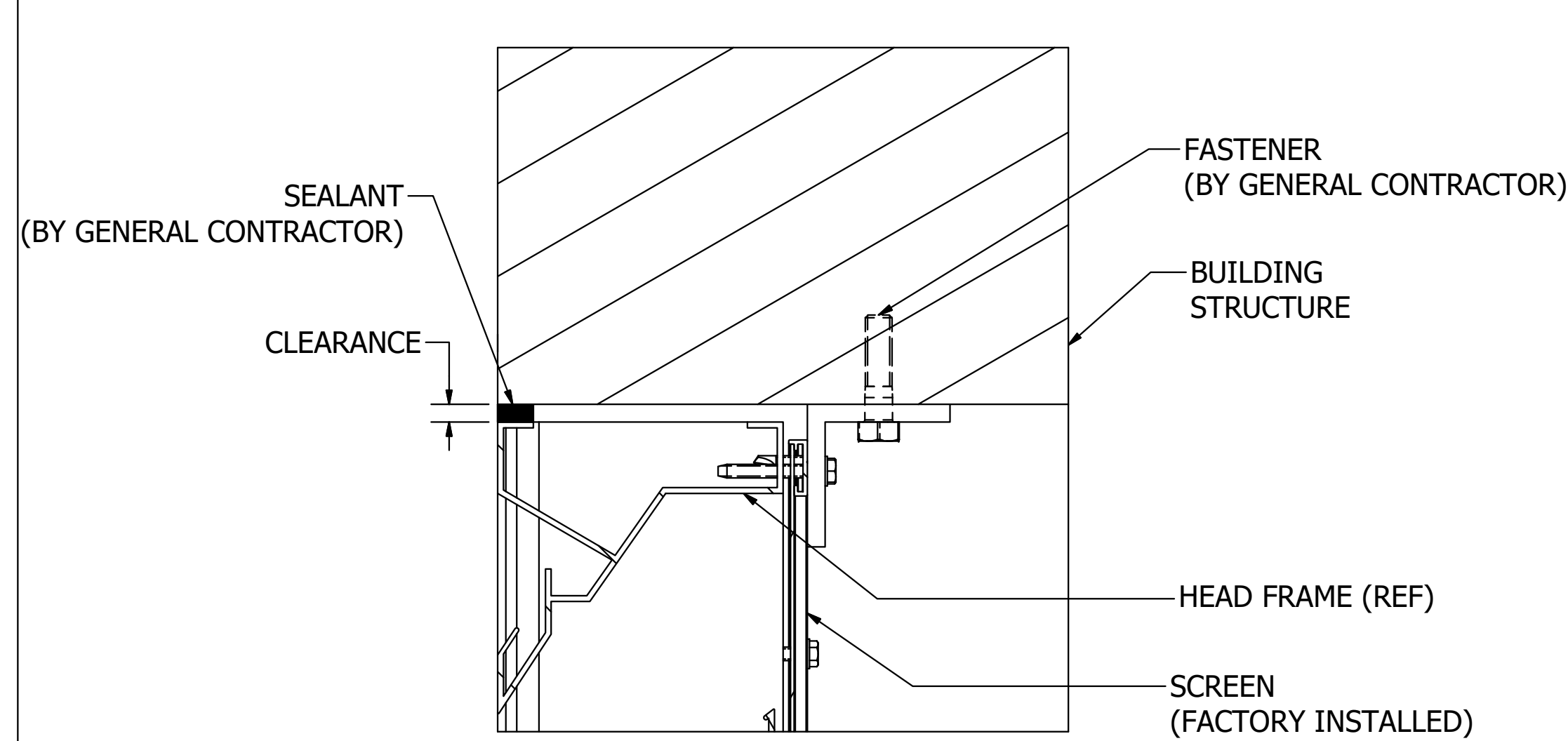
**CLIP ANGLE INSTALLATION - VERTICAL BLADE LOUVERS**



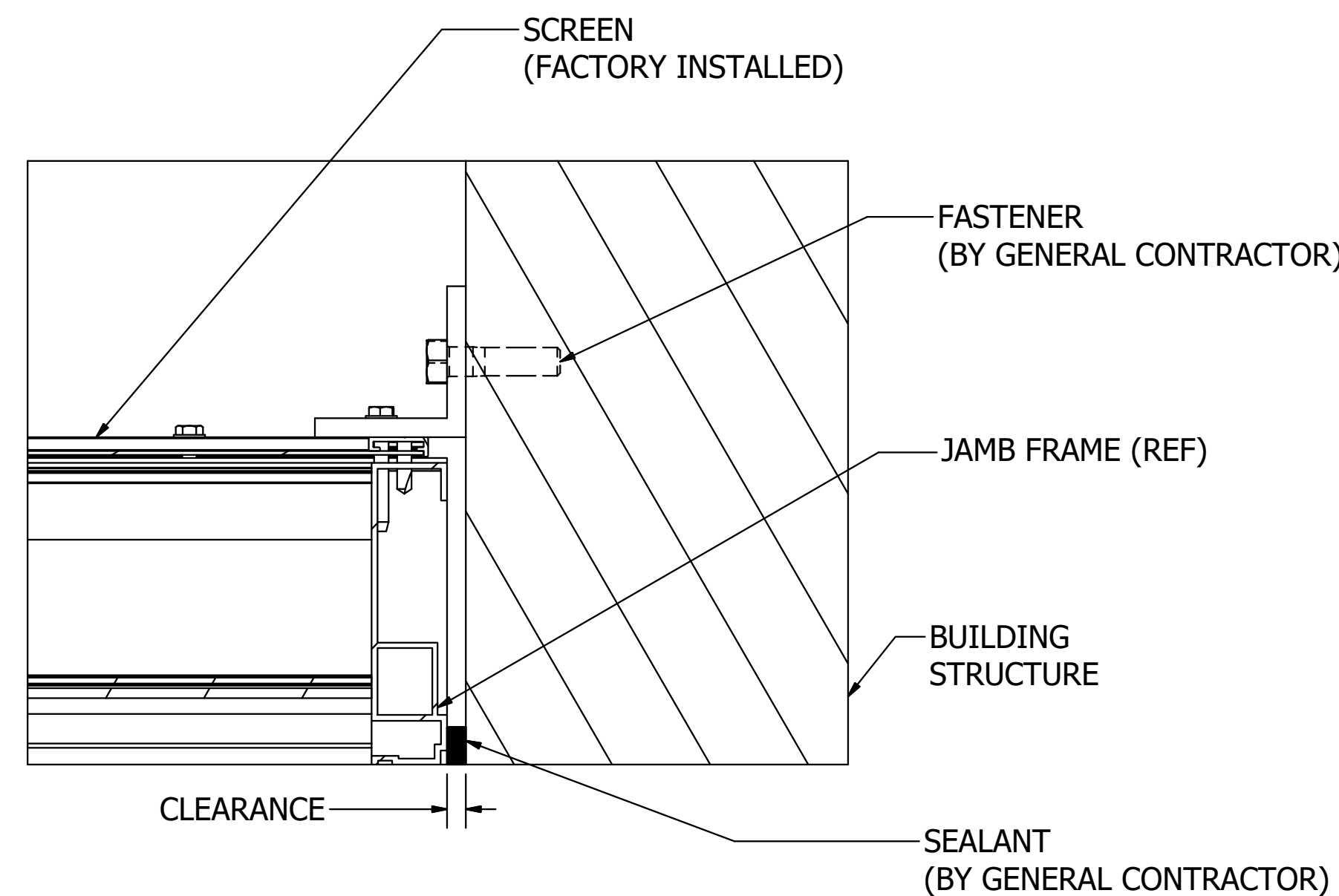
**CLIP ANGLE INSTALLATION W EXTENDED SILL**



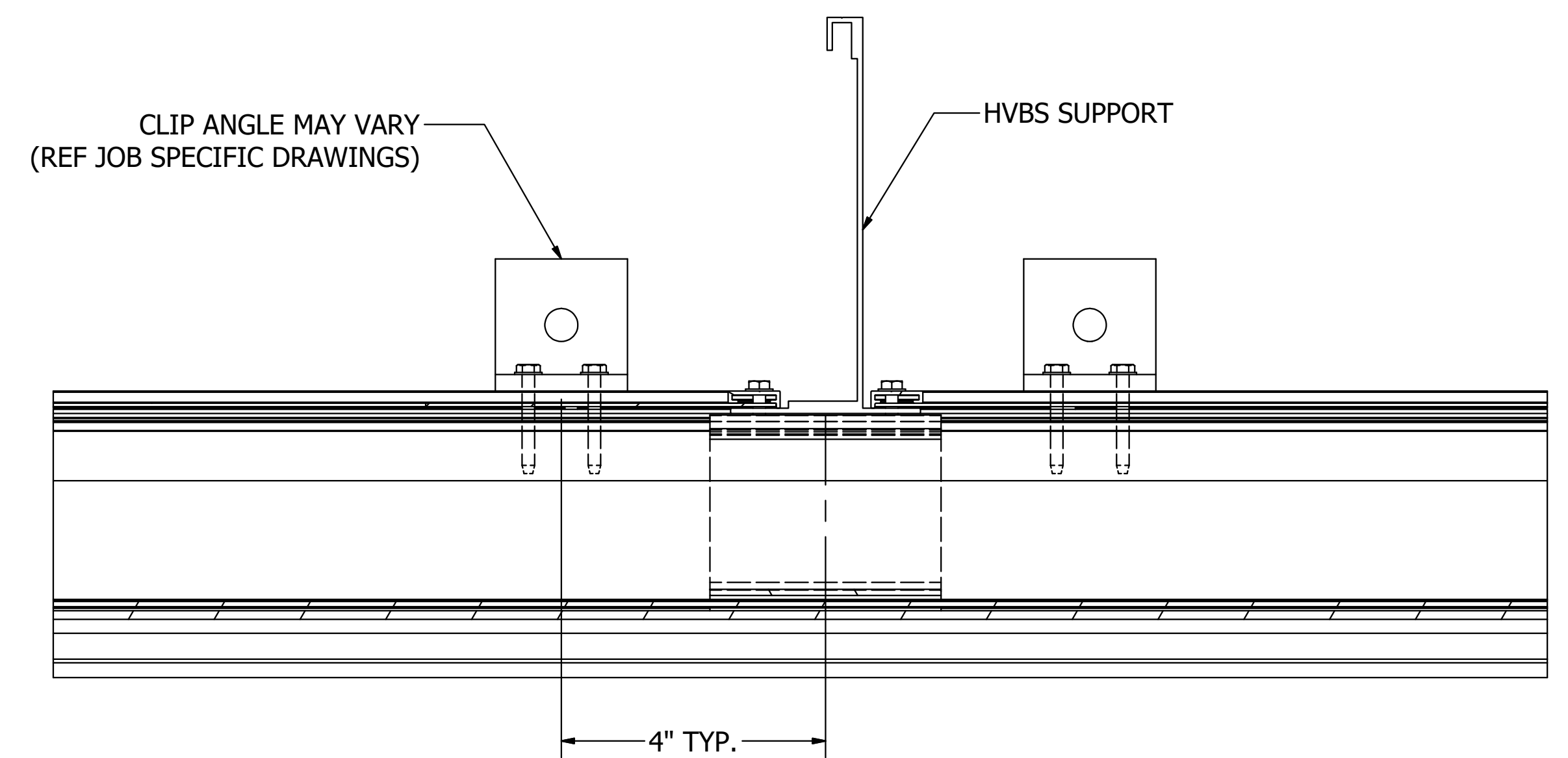
**CLIP ANGLE INSTALLATION W EXTENDED SILL (SUPPORTS NOT SHOWN FOR CLARITY)**



**CLIP ANGLE INSTALLATION @ HEAD/SILL**



**CLIP ANGLE INSTALLATION @ JAMBS**



**CLIP ANGLE INSTALLATION @ SUPPORTS**

AUTHOR	NS	8/30/2019		3900 Doctor Greaves Rd, Grandview, MO 64030	
CHECKED	WRT	9/5/2019		PROPRIETARY AND CONFIDENTIAL	
APPROVED	WRT	9/6/2019			
MATERIAL				PRODUCT	
				TITLE	
				STANDARD CLIP ANGLE INSTALLATION GUIDE	
				SIZE	DWG NO
				D	60-022526-00D
ECN	6613	9/6/2019	SCALE	NONE	INVENTOR SHEET 2 OF 2