



## AMS Series Transducers (AMS8100, AMS8100LR) DELUXE PRESSURE TRANSDUCER WITH LCD DISPLAY

Ruskin AMS Series Transducers are extremely accurate and economical low-pressure transducers. It is the number one choice for air measurement applications using velocity pressure air measurement technology. The AMS Series Transducers feature a large four-digit LCD display with three status LEDs, and includes short circuit protected out-puts, and is tolerant of reverse polarity. With selectable field select-table range transducers when air measurement range is unknown. Microprocessor-controlled Auto-Zeroing feature provides absolute accuracy at zero differential. Recommended for use with the Ruskin AMS series, AMP series and AML series air measurement stations. The unit installs quickly by two pressure ports.



### STANDARD CONSTRUCTION

#### HOUSING

Hinged, 3.63" x 4.51" x 2.22" (92.1 x 114.7 x 56.5), UV-resistant Polycarbonate, UL94, V-0; IP-44, NEMA2 rated

#### PRESSURE PORT FITTINGS:

Barbed Brass accepts 1/8" or 3/16" I.D. Tubing

#### SENSOR

Piezoresistive silicon pressure sensor

#### FIELD SELECTABLE OUTPUT RANGES

0 to 10 V, 2 to 10 V; 0 to 5 V; 4 to 20 mA

#### POWER REQUIREMENTS

13 - 40 VDC or 18 - 32 VAC (0 - 10 or 2 - 10 V Output, 3 wires)  
7 - 40 VDC or 18 - 32 VAC (0 - 5 or 1 - 5 V Output, 3 wires)  
7 - 40 VDC (4 to 20 mA Output, 2 wires)

#### POWER CONSUMPTION

4.9 mA max DC at 0 to 5 VDC or 0 to 10 VDC Output  
0.12VA max AC at 0 to 5 VDC or 0 to 10 VDC Output  
20 mA max. DC only at 4 to 20 mA Output

#### LOAD RESISTANCE:

0 to 5 V or 0 to 10 V output 6K to 10K  $\Omega$  minimum  
4 to 20 mA Output 850  $\Omega$  Maximum @ 24 VCD

#### FIELD SELECTABLE RANGES (INCHES WATER COLUMN)

**AMS8100LR:** 0-0.1", 0-0.25", 0-0.50", 0-0.75", 0-1.0"

**AMS8100:** 0-0.1", 0-0.25", 0-0.50", 0-1.0", 0-2.5"

#### OVERPRESSURE

Proof: 300 WC (10.83 PSI)

#### ACCURACY at 72°F: $\pm 0.25\%$ of range, $\pm 0.5\%$ of range for the three lowest ranges

#### AUTO-ZERO FUNCTION

Microprocessor Controlled

#### TEMPERATURE LIMITS

##### Environmental Operation Range:

-4°F to 140°F (-20°C to 60°C)

**Storage Temperature:** -40°F to 203°F (-40°C to 95°C)

##### Temperature Error Low Range:

0.04% FS/°F (0.07% FS/°C), ( $\pm 0.1$ " W.C. @ -4 to 140°F (-20 to 60°C)

#### OPERATING RH RANGE

0 to 95% non-condensing

#### STABILITY:

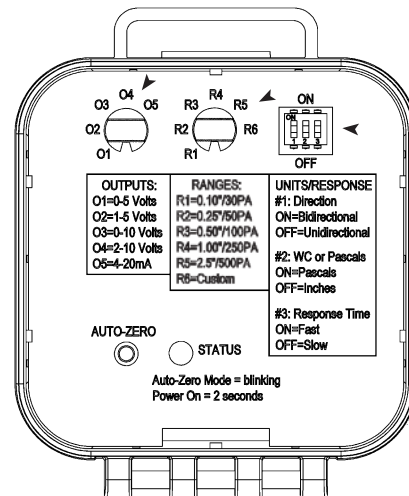
$\pm 0.25\%$  Full Scale (FS) per year

#### Notes:

- Dimensions in inches, parenthesis ( ) indicate millimeters.
- Refer to installation manual for additional details



5 YEAR LIMITED WARRANTY



AMS8100 SHOWN

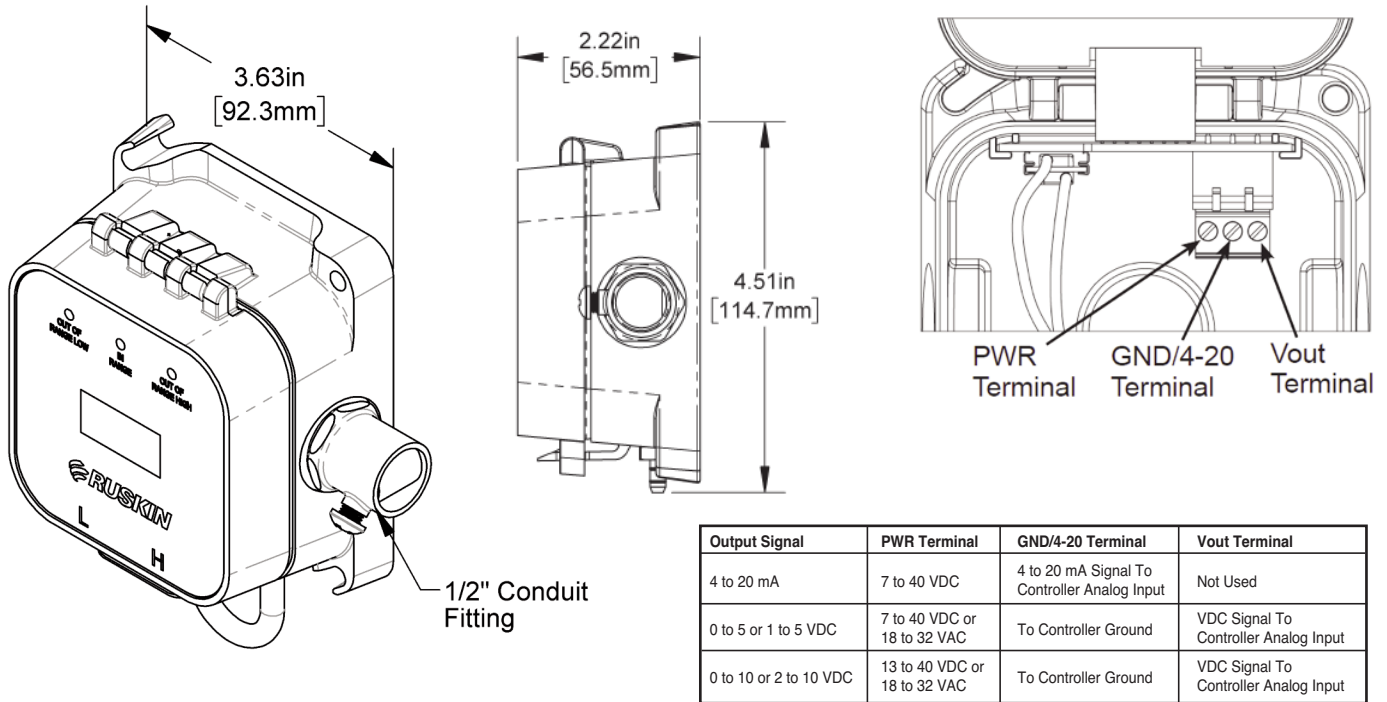
### STANDARD FEATURES

- 10 Field Selectable Pressure Ranges and 5 Field Selectable Outputs
- LCD display shows pressure over the entire operational range regardless of which pressure range is selected
- Three LEDs on the face of the unit indicate when the pressure is "Out of Range Low", "In Range" or "Out of Range High".
- Output, Range, Units, Directionality, and Response Time can be set without tools or power
- Free NIST Certificate Included with each unit.

### VARIATIONS

The AMS8100 is available in a 0 to 2.5 Inch Water Column range for applications where velocities are greater than 2,000 FPM.

## DIMENSIONAL DATA



## FIELD SELECTABLE RANGES AND OUTPUTS

AMS8100LR (standard)	
Inches WC	Pascals
0 to 0.10	0 to 30
0 to 0.25	0 to 50
0 to 0.50	0 to 100
0 to 0.75	0 to 175
0 to 1.00	0 to 250

AMS8100 (optional)	
Inches WC	Pascals
0 to 0.10	0 to 25
0 to 0.25	0 to 65
0 to 0.50	0 to 125
0 to 0.75	0 to 175
0 to 1.00	0 to 250
0 to 2.50	0 to 625

Ruskin recommends that the pressure ports point down so that any condensation that collects in the tubing may not enter the transmitter. It is good practice to leave "drip loops" in the tubing just before the transmitter.

Certified to CE standards for electrostatic discharge, radiated susceptibility, electrical fast transient, surge, conducted immunity, voltage fluctuations, power frequency magnetic fields, and voltage dips.

\*Ruskin recommends that you do not run wiring for the pressure transmitter in the same conduit as line voltage wiring or with wiring used to supply highly inductive loads such as motors, generators and coils.

## PARAGRAPH SPECIFICATION

Furnish and install, at locations shown on plans or as in accordance with schedules, an air measuring station pressure transducer, with integral 4 character LCD display indicating actual differential pressure. The transducer shall be housed in a polycarbonate enclosure that bears an IP44 rating. Enclosure shall have a hinged cover for access to all switches for field adjustment. Switches shall allow for field selection of 0-5 or 1-5 VDC, 0-10 or 2-10 VDC, or 4-20 mA output signal. Additionally, settings shall accommodate field selection of a minimum

of five pressure ranges from 0" to 1.0" water column (0" to 2.5" optional). The transducer shall have an auto-zero function. The transducer assembly shall contain a piezoresistive silicon pressure sensor. Accuracy of the transducer shall be  $\pm 0.5\%$  on 0 to 0.1" range and 0.25" range,  $\pm 0.25\%$  on all other ranges. Stability shall be  $\pm 0.25\%$  (of span selected) per year. Transducer shall be, in all respects, equivalent to Ruskin Model AMS8100 or AMS8100LR and shall be compatible with all Ruskin air measuring probes and stations.



3900 Dr. Greaves Rd.  
 Kansas City, MO 64030  
 (816) 761-7476  
 FAX (816) 765-8955  
 www.ruskin.com