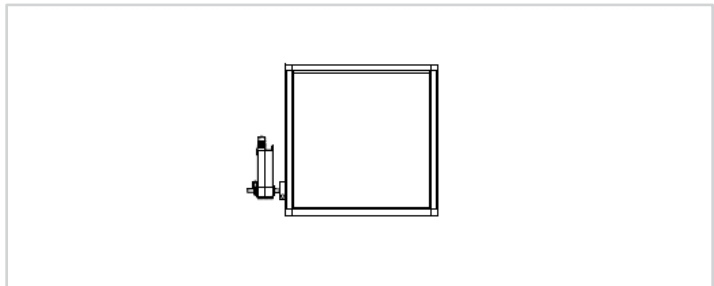
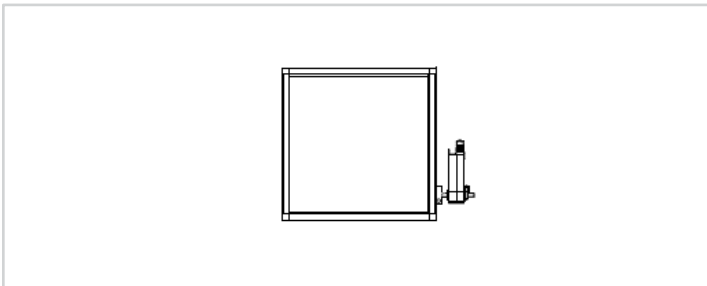


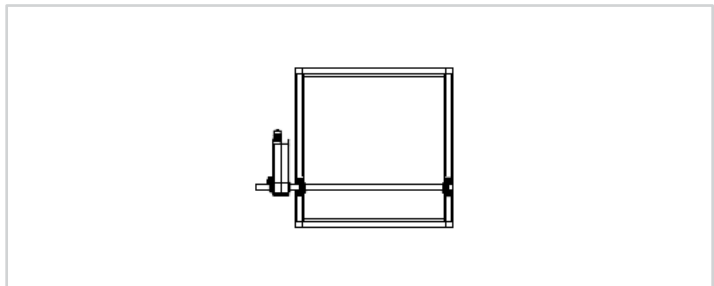
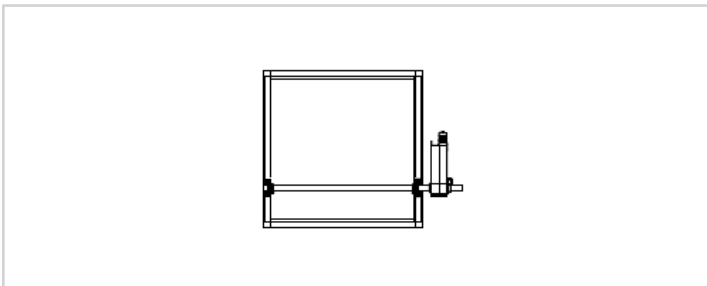
Model **AQ-21-EP01-2** is a 2x1 multisection unit with 2 actuators piggy-back mounted externally to the sleeve. This is a **DEFAULT** configuration.



**CONFIGURATION NUMBER**

<b>AQ-11-E01-1</b>
Single Section <b>Default</b>
Extended Axle
Right Hand Actuator Mount
For sizes up to 30 ft <sup>2</sup>

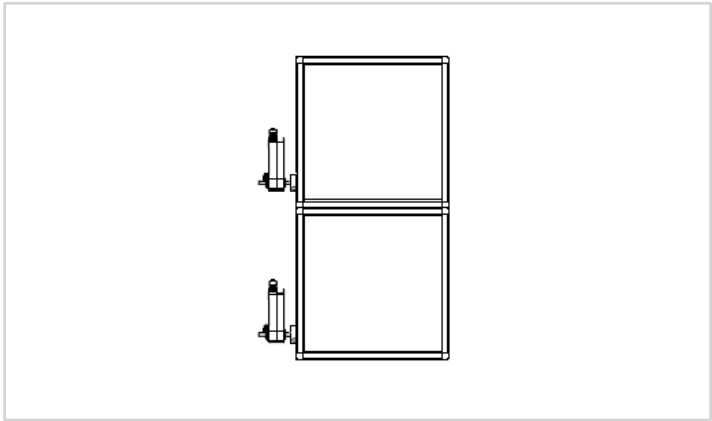
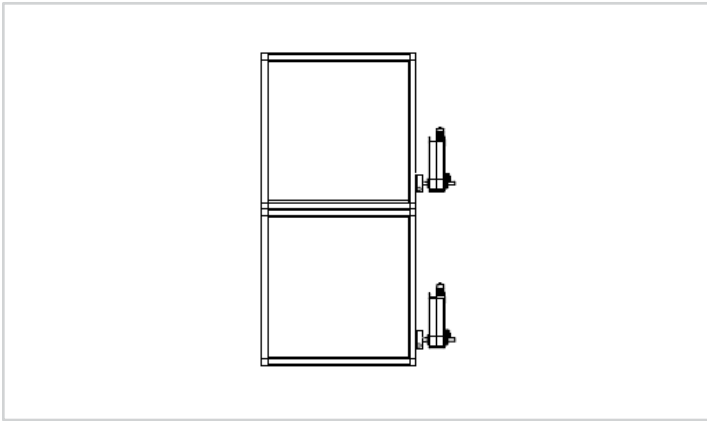
<b>AQ-11-E02-1</b>
Single Section <b>Option</b>
Extended Axle
Left Hand Actuator Mount
For sizes up to 30 ft <sup>2</sup>



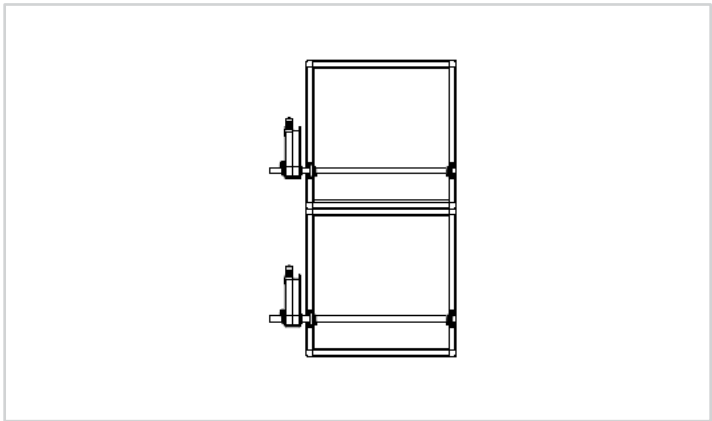
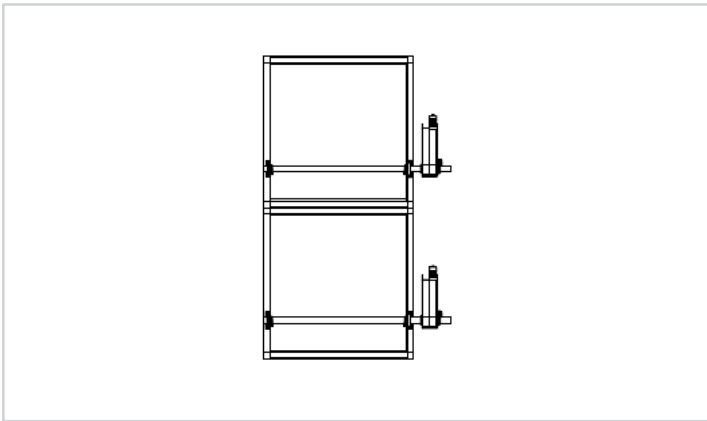
**CONFIGURATION NUMBER**

<b>AQ-11-E03-1</b>
Single Section <b>Option</b>
Single Section Jackshaft
Right Hand Actuator Mount
For sizes up to 30 ft <sup>2</sup>

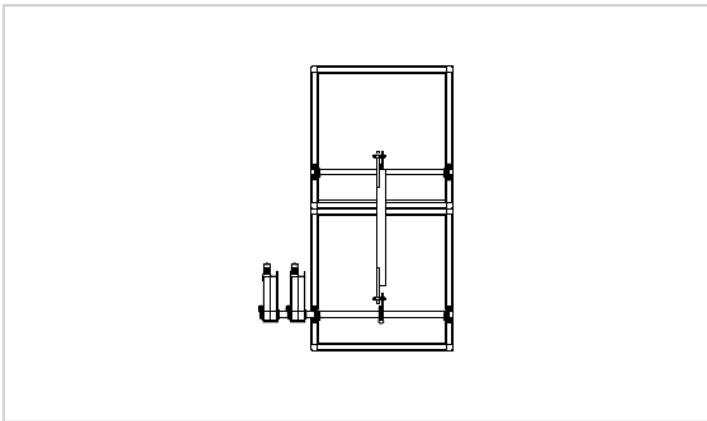
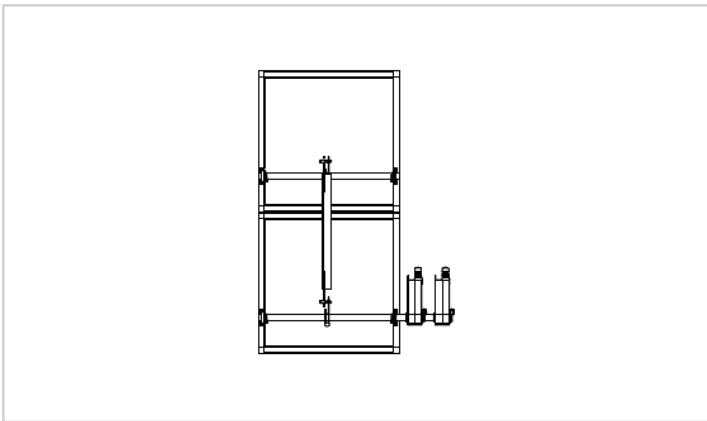
<b>AQ-11-E04-1</b>
Single Section <b>Option</b>
Single Section Jackshaft
Left Hand Actuator Mount
For sizes up to 30 ft <sup>2</sup>



CONFIGURATION NUMBER	
<b>AQ-12-E01-2</b>	<b>AQ-12-E02-2</b>
1x2 Multi-Section <b>Default</b>	1x2 Multi-Section <b>Option</b>
Extended Axle	Extended Axle
Right Hand Actuator Mount	Left Hand Actuator Mount
For sizes above 30 ft <sup>2</sup> up to 60 ft <sup>2</sup>	For sizes above 30 ft <sup>2</sup> up to 60 ft <sup>2</sup>



CONFIGURATION NUMBER	
<b>AQ-12-E03-2</b>	<b>AQ-12-E04-2</b>
1x2 Multi-Section <b>Option</b>	1x2 Multi-Section <b>Option</b>
Jackshafting	Jackshafting
Right Hand Actuator Mount	Left Hand Actuator Mount
For sizes above 30 ft <sup>2</sup> up to 60 ft <sup>2</sup>	For sizes above 30 ft <sup>2</sup> up to 60 ft <sup>2</sup>



**CONFIGURATION NUMBER**

**AQ-12-EP01-2**

1x2 Multi-Section **Option**

Jackshafting/Crossover

Right Hand Actuator Mount

For sizes above 30 ft<sup>2</sup> up to 60 ft<sup>2</sup>

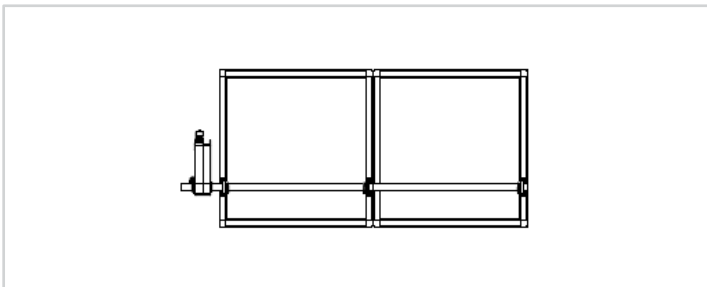
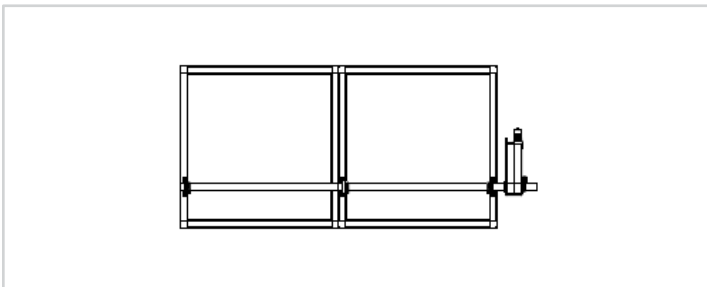
**AQ-12-EP02-2**

1x2 Multi-Section **Option**

Jackshafting/Crossover

Left Hand Actuator Mount

For sizes above 30 ft<sup>2</sup> up to 60 ft<sup>2</sup>



**CONFIGURATION NUMBER**

**AQ-21-E01-1**

2x1 Multi-Section **Default**

Jackshafting/ Single Actuator

Right Hand Actuator Mount

For sizes up to 30 ft<sup>2</sup>

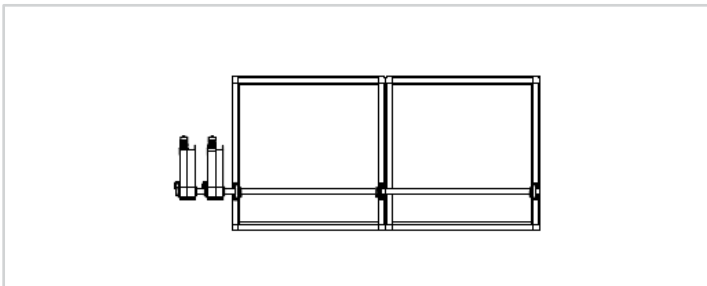
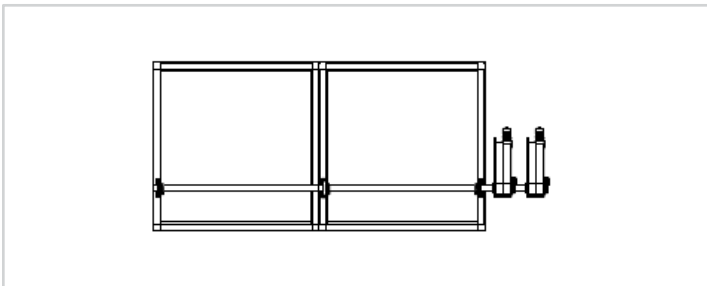
**AQ-21-E02-1**

2x1 Multi-Section **Option**

Jackshafting/Single Actuator

Left Hand Actuator Mount

For sizes up to 30 ft<sup>2</sup>



**CONFIGURATION NUMBER**

**AQ-21-EP01-2**

2x1 Multi-Section **Default**

Jackshafting/Two Actuators

Right Hand Actuator Mount

For sizes above 30 ft<sup>2</sup> up to 60 ft<sup>2</sup>

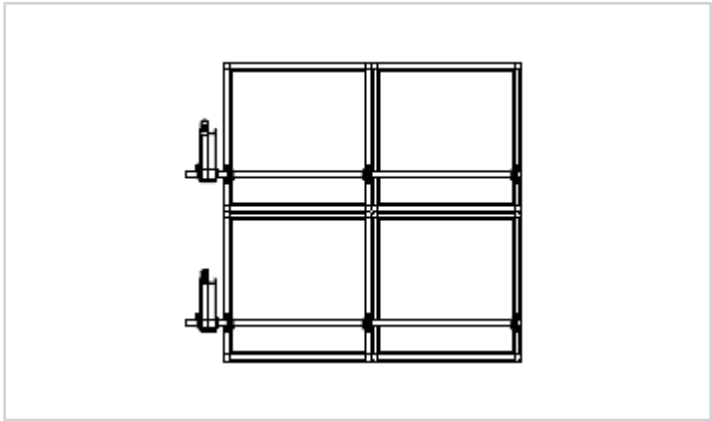
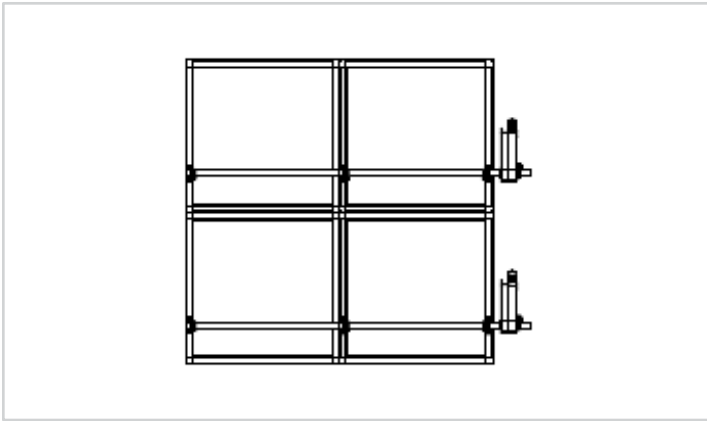
**AQ-21-EP02-2**

2x1 Multi-Section **Option**

Jackshafting/Two Actuators

Left Hand Actuator Mount

For sizes above 30 ft<sup>2</sup> up to 60 ft<sup>2</sup>



**CONFIGURATION NUMBER**

**AQ-22-E01-2**

2x2 Multi-Section **Default**

Jackshafting/Two Actuators

Right Hand Actuator Mount

For sizes above 30 ft<sup>2</sup> up to 60 ft<sup>2</sup>

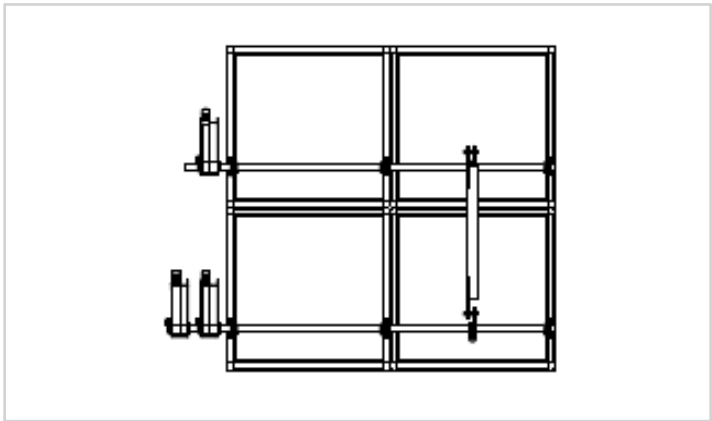
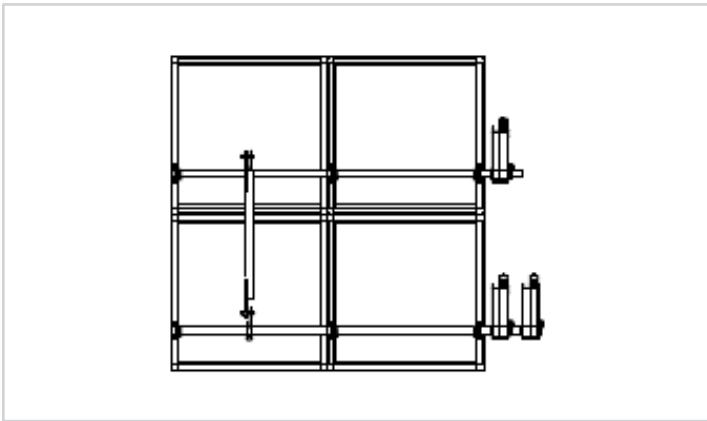
**AQ-22-E02-2**

2x2 Multi-Section **Option**

Jackshafting/Two Actuators

Left Hand Actuator Mount

For sizes above 30 ft<sup>2</sup> up to 60 ft<sup>2</sup>



**CONFIGURATION NUMBER**

**AQ-22-EP01-3**

2x2 Multi-Section **Default**

Jackshafting/Three Actuators

Right Hand Actuator Mount

For sizes above 60 ft<sup>2</sup> up to 90 ft<sup>2</sup>

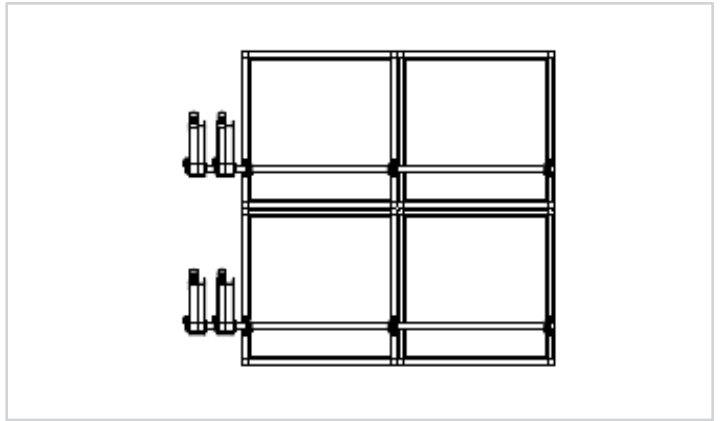
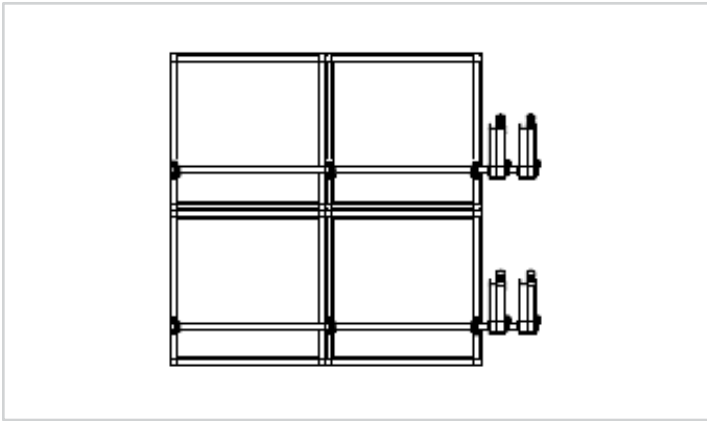
**AQ-22-EP02-3**

2x2 Multi-Section **Option**

Jackshafting/Three Actuators

Left Hand Actuator Mount

For sizes above 60 ft<sup>2</sup> up to 90 ft<sup>2</sup>



CONFIGURATION NUMBER	
<b>AQ-22-EP01-4</b>	<b>AQ-22-EP02-4</b>
2x2 Multi-Section <b>Default</b>	2x2 Multi-Section <b>Option</b>
Jackshafting/Four Actuators	Jackshafting/Four Actuators
Right Hand Actuator Mount	Left Hand Actuator Mount
For sizes above 90 ft <sup>2</sup> up to 120 ft <sup>2</sup>	For sizes above 90 ft <sup>2</sup> up to 120 ft <sup>2</sup>

**i LINKS TO IMPORTANT DOCUMENTS**

Document Title
Limited Warranty Document



3900 Doctor Greaves Road  
 Grandview, MO 64030  
 Website: [www.ruskin.com](http://www.ruskin.com)  
 Phone: (816) 761-7476